

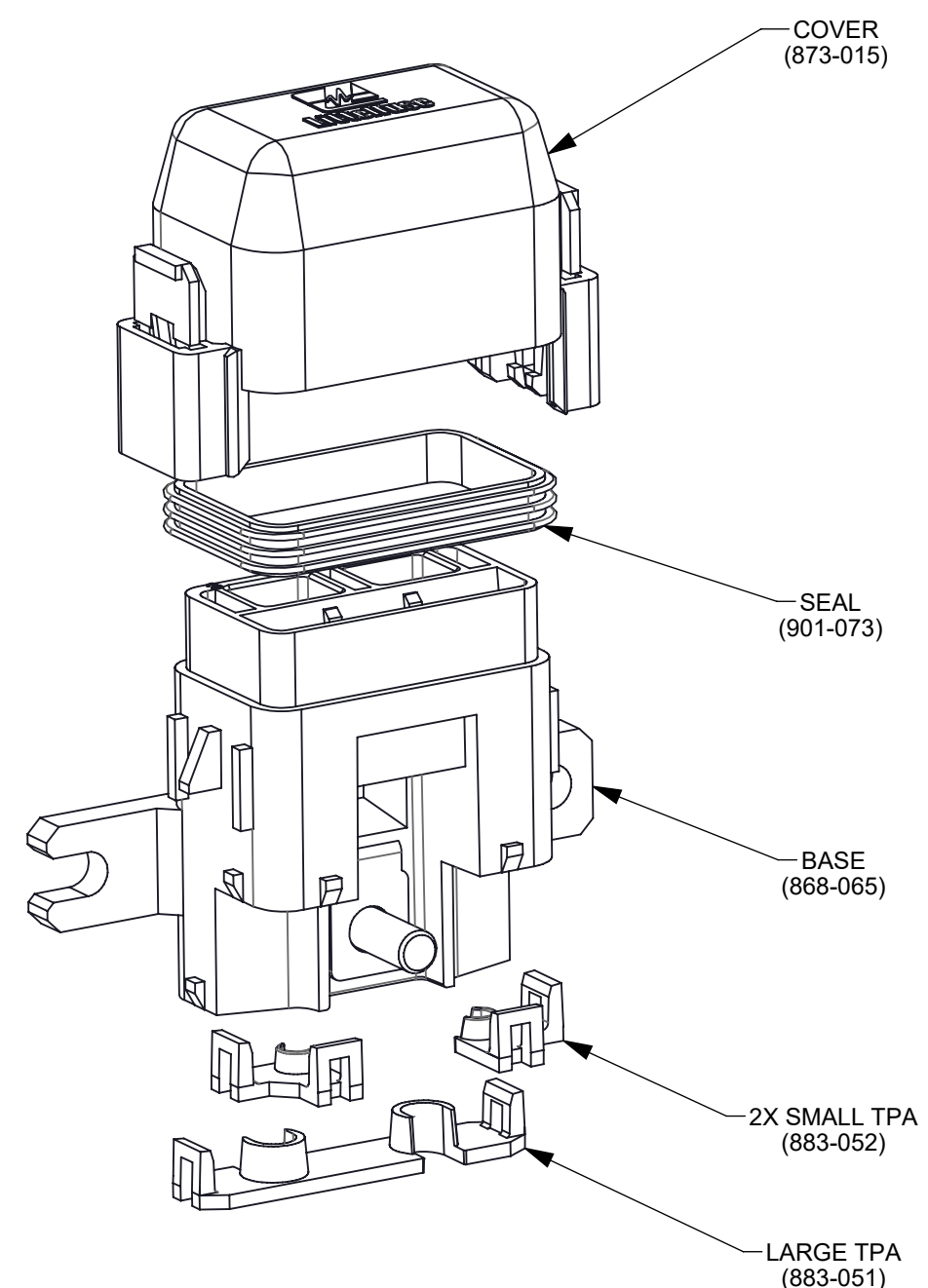
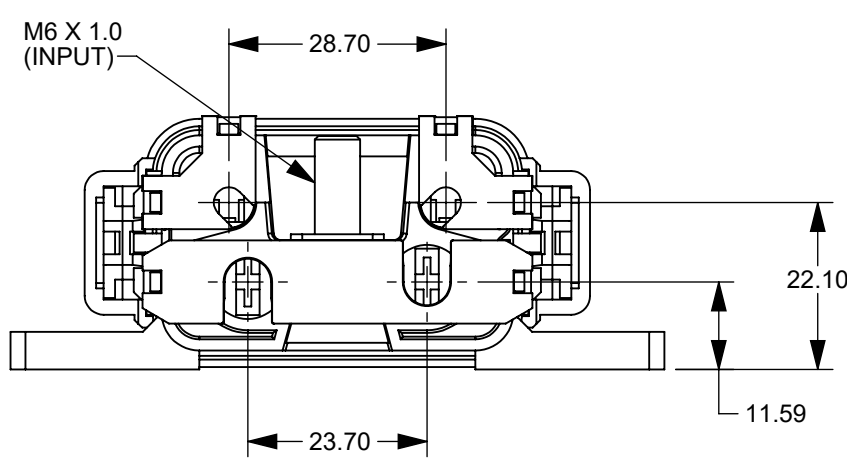
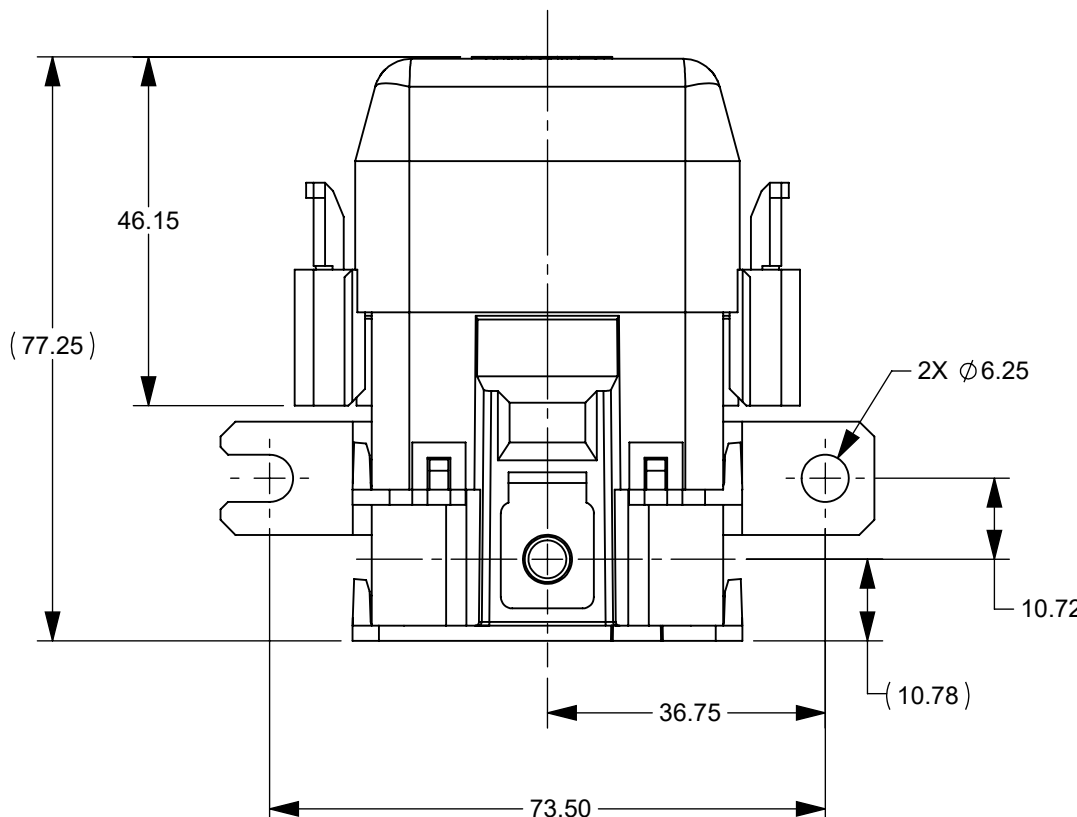
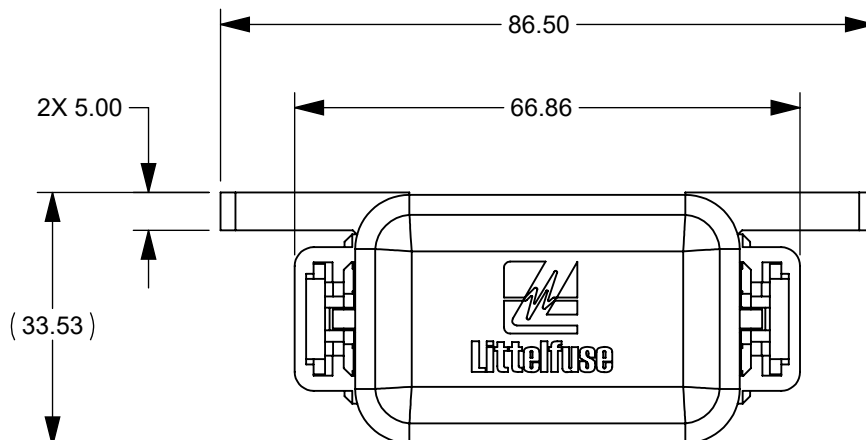
THIS DRAWING AND THE INFORMATION CONTAINED WITHIN IT ARE CONFIDENTIAL AND MAY NOT BE COPIED OR DISCLOSED WITHOUT THE WRITTEN PERMISSION OF LITTELFUSE.

REVISIONS				
ZONE	REV.	DESCRIPTION	DATE	APPROVED
	A	502034ERA-RELEASE GMB	04/18/11	
	B	503116ERA-SEE ECO GMB	08/26/11	
	C	504140ECA-SEE ECO GMB	1/23/12	
	D	504558ECA-SEE ECO FYUE	3/22/12	
	E	507145ECA-SEE ECO FYUE	1/7/13	
	F	523936ECC-UPDATE NOTE 8 FYUE	5/AUG/21	EDWARD JIN

FEMALE TERMINAL FOR MINI FUSE (SEE NOTE 13)				
CABLE SIZE mm <sup>2</sup>	FEMALE TERMINAL (DELPHI 280 SEALED)	CABLE DIA	CABLE SEAL (DELPHI 280 METRI-PACK REEL/LOOSE)	COLOR
0.50 - 0.35	12084201	1.70 - 1.29	12034365/15324983	DARK RED
1.0 - 0.50	12077411	2.15 - 1.60	12089444/15324985	PURPLE
3.0 - 2.0	12129493	2.42 - 2.03	12041352/15324984	TAN
3.0	12077413	2.85 - 2.03	12015284/15324982	GREEN
		3.49 - 2.81	12015359/15324980	GRAY
		4.30 - 3.45	12015360/15324981	BLUE
		CAVITY PLUG	12010300	GREEN

MALE TERMINAL FOR JCASE (SEE NOT 13)		
CABLE SIZE mm <sup>2</sup>	MALE TERMINAL (DELPHI DUCON 6.3 SEALED)	CABLE PLUG (DELPHI DUCON 6.3 SEALED)
2.5 - 1.5	15344632	12059255
6.0 - 4.0	15344631	

6.3 DUCON CABLE SEALS (SEE NOTE 13)			
REEL PART NUMBER	LOOSE PART NUMBER	CABLE DIA.	COLOR
10730240	15324997	2.40 - 1.60	LIGHT BROWN
12059259	15324995	2.90 - 2.00	DARK RED
10730241	15324994	3.80 - 2.80	GRAY
15344032	15324996	4.50 - 3.60	BLUE



- NOTE:
- MATERIAL:  
 BASE/COVER: PA-66, V0/BLACK  
 TPA: PA-66, V0/BLACK  
 SEAL: 30 DURO SILICONE (GREEN)  
 BUSSBAR: TIN-PLATED COPPER  
 BOLT: ZINC-PLATED STEEL
  - TORQUE RATING: 5.5-6.5 Nm USING M6 BOLT & LOCK WASHER
  - MAX. TOTAL CURRENT @ 23°C IS 100A  
 MAX. TOTAL CURRENT @ 85°C IS 70A  
 ALL FUSE MUST NOT EXCEED 70% OF RATED CURRENT
  - OPERATING & STORAGE TEMPERATURE: -40°C TO 85°C
  - ASSEMBLY MUST PASS IP67 IEC60529 TESTS
  - COVER MUST WITHSTAND A PULL FORCE OF 15-30N WHEN INSTALLED WITH SEAL AND BASE
  - TERMINAL RETENTION MUST MEET REQUIREMENTS OF USCAR 2 SECTION 5.4.1.3 USING PROPER DELPHI METRI-PACK TERMINALS (SEALED/TANGED):  
 TERMINAL INSERTION FORCE: 30N MAX. (15N MAX. FOR WIRE SIZE <=1mm<sup>2</sup>)  
 TERMINAL EXTRACTION FORCE: 60N MIN.
  - TERMINAL EXTRACTION FORCE WITH TPA INSTALLED: 90N MIN.  
 PARTS ARE SHIPPED WITH TPAS AND SEL AS BULK AND THE BASE WITH COVER INSTALLED
  - TO BE USED WITH FUSE PULLER 00970032Z
  - HOLDER MEETS L/F VALIDATION TST SPEC. VS-00510
  - TO BE USED WITH DELPHI METRA-PACK TERMINALS AND SEALS
  - TO BE USED WITH DELPHI DUCON MALE TERMINALS AND SEALS
  - FOR REFERENCE ONLY. CONTACT DELPHI FOR ANY UPDATED PART NUMBERING INFORMATION

LIMIT DIMENSIONS OF PLASTIC MOLDED PARTS FOR NOMINAL SIZE RANGES PER ISO IN LITTELFUSE CVP-NPD20-0002, DIMENSIONS mm												
1 to 3	>3 to 6	>6 to 10	>10 to 18	>18 to 30	>30 to 50	>50 to 80	>80 to 120	>120 to 180	>180 to 250	>250 to 315	>315 to 400	ANGLE
±0.10	±0.10	±0.20	±0.20	±0.20	±0.30	±0.30	±0.30	±0.50	±0.50	±0.50	±0.50	NONE

SURFACE PROFILE DIMENSIONS OF PLASTIC MOLDED PARTS FOR NOMINAL SIZE RANGES PER ISO IN LITTELFUSE CVP-NPD20-0002, DIMENSIONS mm											
0.50	0.50	0.50	0.50	0.50	0.50	0.50	0.50	1.0	2.0	4.0	4.0

DIMENSIONS ARE SHOWN IN MILLIMETERS. DIMENSIONS AND TOLERANCES ARE DEFINED ACCORDING TO ANSIS/ASME Y14.5-1994.

●	FTI/ FUNCTION CRITICAL CHARACTERISTICS
<S>	SAFETY/ COMPLIANCE CRITICAL CHARACTERISTICS SYMBOL
CPK	DENOTES CPK DIMENSIONS MINIMUM CPK VALUE
(ST)	DENOTES A CHARACTERISTIC THAT PROVIDES AN INDICATION OF PROCESS PERFORMANCE PROCEDURE FOR MEASUREMENT AND TRACKING TO BE DEFINED IN LITTELFUSE INSPECTION INSTRUCTIONS
CP	DENOTES CP DIMENSIONS. -MINIMUM CP VALUE MUST BE WITHIN THE DIMENSIONAL LIMITATIONS SHOWN ON DRAWING AND INITIALLY LOCATED TO ALLOW FOR MAXIMUM TOOL LIFE

NAME	DATE
DRAWN FYUE	5/AUG/2021
CHECKED FYUE	6/AUG/2021

**Littelfuse**  
Expertise Applied | Answers Delivered

FORM NO. CVP-PE40-0005 REV B  
 THIRD ANGLE PROJECTION

TITLE: 2 + 2 FUSE HOLDER

DO NOT SCALE DRAWING

SIZE C	DWG. NO. OL-BPDMA104HXF1	REV. F
SCALE 1:1	SHEET 1 OF 1	