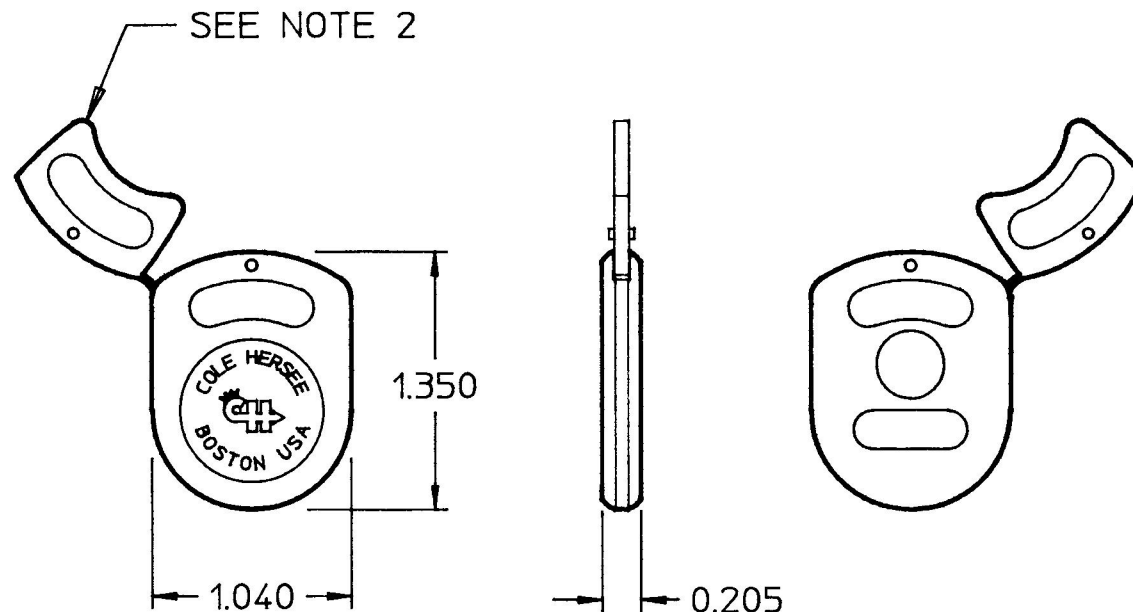


98635


CHART



98635-08	FLUORESCENT
98635-07	WHITE
98635-06	GREEN
98635-05	BLUE
98635-04	YELLOW
98635-03	RED
98635-02	BROWN
98635-01	BLACK
<b>PART NO.</b>	<b>COLOR</b>

- NOTES:  
 1. MATERIAL: PLASTIC  
 2. LATCH CAN BE ON EITHER SIDE OF COVER  
 3. ALL DIMENSIONS ARE REFERENCE

**DO NOT SCALE**

LET.	WAS	DATE	BY	LET.	WAS	DATE	BY	MATERIAL	DRAWN	CHK	APVD	SCALE	DATE DRAWN
									MJT	RJF		1:1	7/21/93
								FINISH	 <b>Cole Hersee Co.</b> 20 OLD COLONY AVENUE, BOSTON, MA, U.S.A. 02127				DATE BLUEPRINTED
								TOLERANCES	<b>COVER, KEY</b>				<b>98635</b>
							DECIMAL ± ANGLE ±						
					ISSUED	7-27-93	RJF						