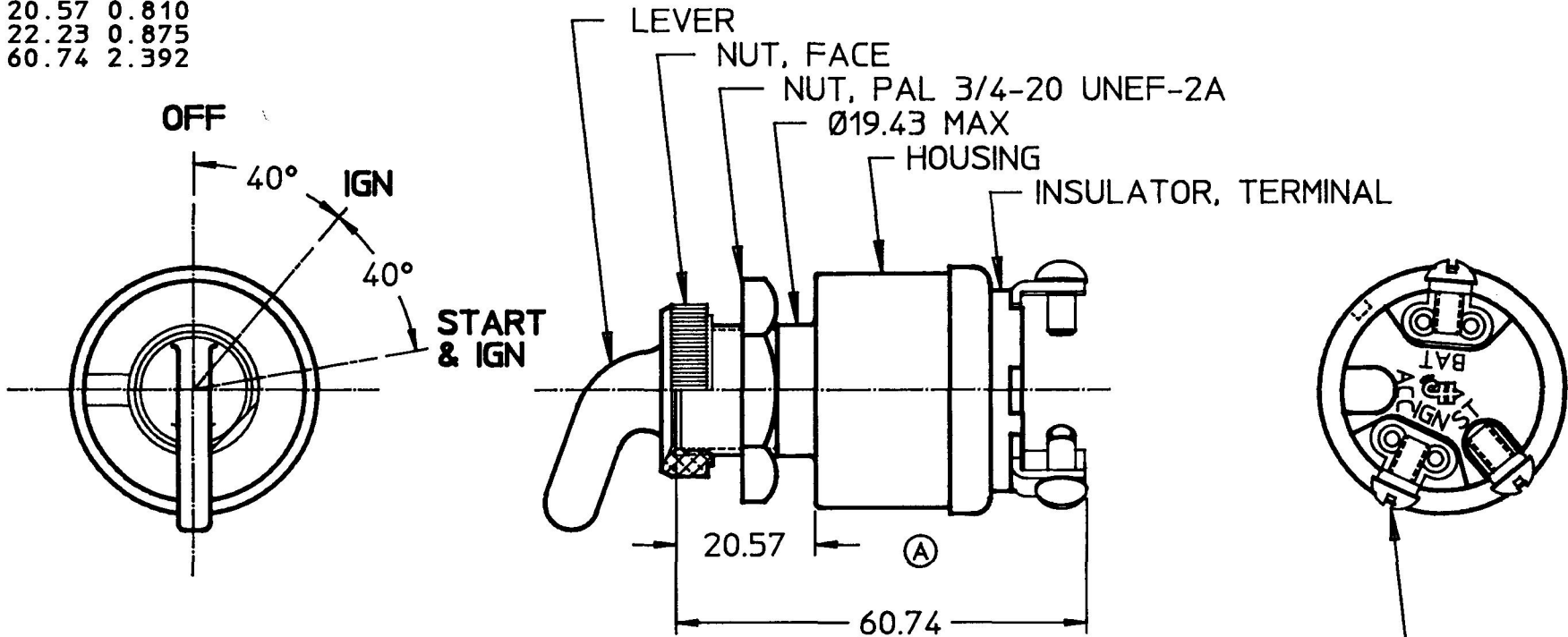


95634-02

MM	IN
6.35	0.250
19.43	0.765
20.57	0.810
22.23	0.875
60.74	2.392




SCREW, SEMS, #8-32 x 6.35LG, 3 REQ'D

NOTES:

1. ALL STEEL PARTS PLATED
2. ALL DIMENSIONS REFERENCE
3. ADAPTER FACE NUT PERMITS ASS'Y OF SWITCH TO Ø22.23 PANEL HOLE
4. APPLICABLE SAE STANDARD J259

METRIC

DO NOT SCALE

LET.	WAS	DATE	BY	LET.	WAS	DATE	BY	MATERIAL	DRAWN	CHK	APVD	SCALE	EX25384	DATE DRAWN
									TJH	AF		1:1		9/22/93
								FINISH	 Cole Hersee Co. 20 OLD COLONY AVENUE, BOSTON, MA, U.S.A. 02127					DATE BLUEPRINTED
				A	ECN 25500	12/17/93	TJH	TOLERANCES						
					ISSUED	9/29/93	AF	DECIMAL ±	SWITCH, IGN, 3POS					95634-02
								ANGLE ±						