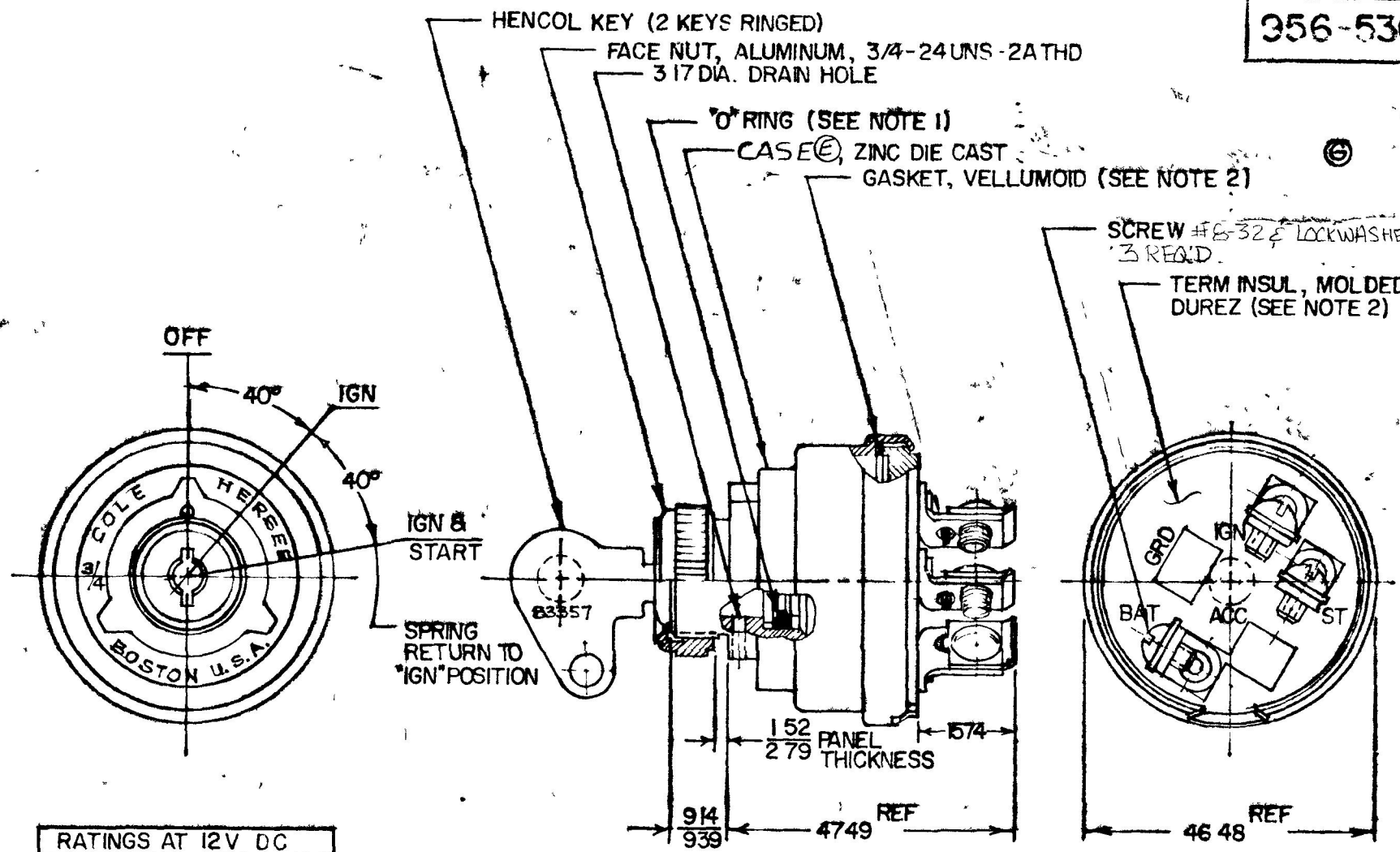


MM	IN
1.52	.010
2.79	.110
3.17	.125
3.30	.130
3.70	.150
4.25	.170
4.75	.190
5.08	.200
5.48	.220
6.35	.250
7.62	.300
8.89	.350
10.16	.400
11.43	.450
12.70	.500
15.24	.600
17.78	.700
20.32	.800
22.86	.900
25.40	1.000
27.94	1.100
30.48	1.200
33.02	1.300
35.56	1.400
38.10	1.500
40.64	1.600
43.18	1.700
45.72	1.800
48.26	1.900
50.80	2.000
53.34	2.100
55.88	2.200
58.42	2.300
60.96	2.400
63.50	2.500
66.04	2.600
68.58	2.700
71.12	2.800
73.66	2.900
76.20	3.000
78.74	3.100
81.28	3.200
83.82	3.300
86.36	3.400
88.90	3.500
91.44	3.600
93.98	3.700
96.52	3.800
99.06	3.900
101.60	4.000
104.14	4.100
106.68	4.200
109.22	4.300
111.76	4.400
114.30	4.500
116.84	4.600
119.38	4.700
121.92	4.800
124.46	4.900
127.00	5.000

356-5307



RATINGS AT 12V DC	
IGN CIRCUIT	10 AMPS
START	5

- NOTE
1. SHAFT O-RING SEALED TO CASE
  2. TERM INSUL GASKET SEALED
  3. ALL STEEL PARTS PLATED 11T W/DIC-IRON, FL DIP OR CAL 17
  4. APPLICABLE SAE STANDARD OR RECOMMENDED PRACTICE SAE J259

**METRIC**

DO NOT SCALE

LET	WAS	DATE	BY	LET	WAS	DATE	BY	MATERIAL	DRAWN	CHECKED	APPRV D	SCALE	DATE DRAWN
									CF	11-20-78		1:1	1-10-66
				G	LEN # 60139	3/1/00	KF	FINISH	 WOLD COLONY AVENUE SOUTH BOSTON MA U.S.A. 02127				DATE BLUEPRINT
				F	CADU 725239	12/18/92	1,4						
				E	HOUSING	8-17-82	13	TOLERANCES	<b>3 POS IGNITION &amp; START SW 956-5307</b>				
				D	REDRAWN	11-8-78	R	FRACTIONAL ±					
								DECIMAL ± .25					

CH-188 (4-78)