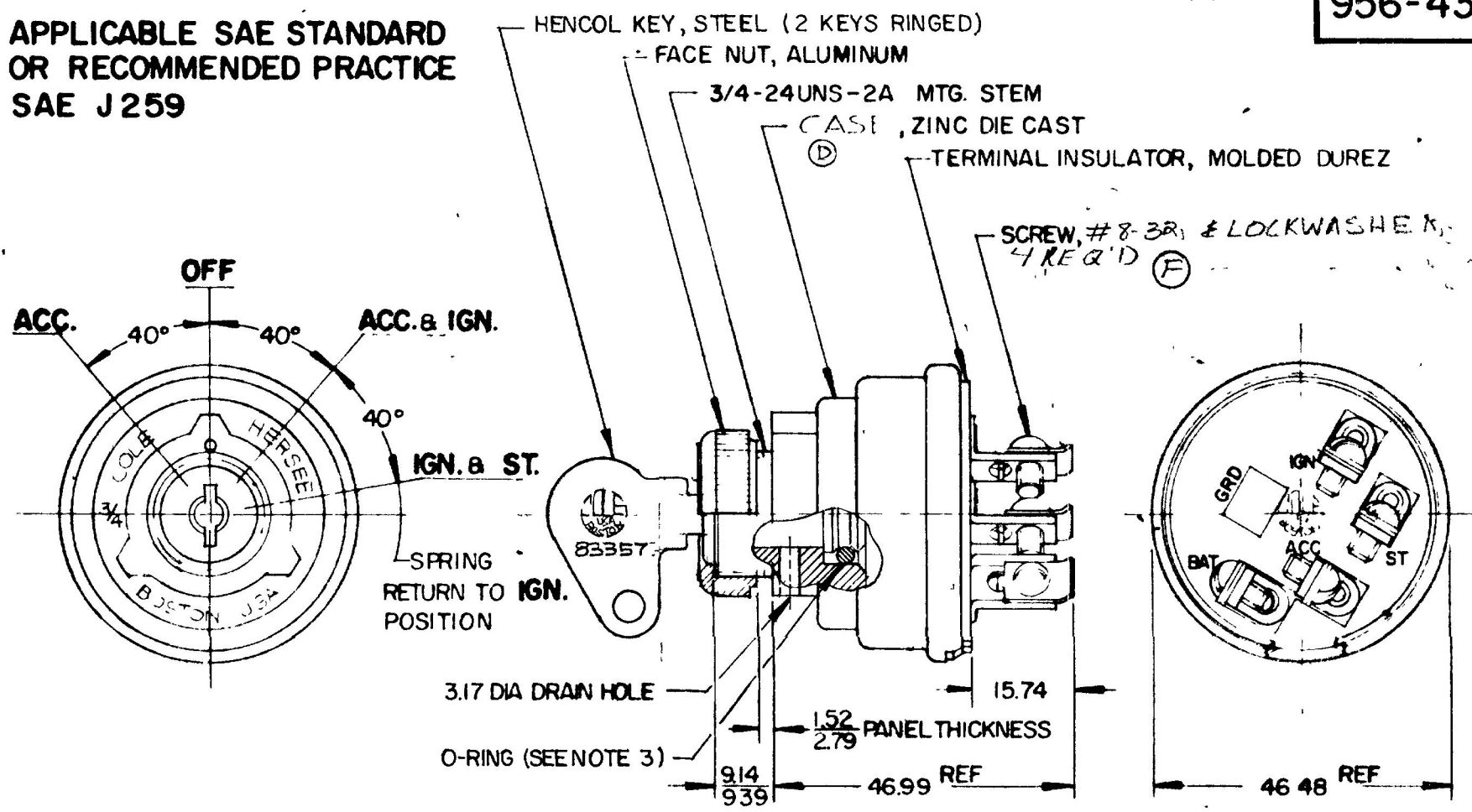


MM	IN
0.25	.010
1.27	.050
2.54	.100
3.81	.150
5.08	.200
6.35	.250
7.62	.300
8.89	.350
10.16	.400
12.70	.500
15.24	.600
17.78	.700
20.32	.800
22.86	.900
25.40	1.000
27.94	1.100
30.48	1.200
33.02	1.300
35.56	1.400
38.10	1.500
40.64	1.600
43.18	1.700
45.72	1.800
48.26	1.900
50.80	2.000

956-4307

APPLICABLE SAE STANDARD
OR RECOMMENDED PRACTICE
SAE J259



NOTES:

- 1 TERMINAL INSUL GASKET SEALED
- 2 ALL STEEL PARTS PLATED
- 3 SHAFT O-RING SEALED TO HOUSING.

RATINGS AT 12 V.D.C.

ACC. CIRCUIT	10 AMPS
IGN. " "	10 " "
ST. " "	5 " "

METRIC

DO NOT SCALE

LET	WAS	DATE	BY	LET	WAS	DATE	BY	MATERIAL	DRAWN	APPRVD	SCALE	DATE DRAWN
								#	CF	11		12-12-66
				F	ECN 00137	3/1/00	HA	FINISH				DATE BLUEPRINT
				I	CAD OR ZINC / 25234	12/18/92	111	#				
				D	HOUSING	8-16-82	PB	TOLERANCES				
				C	REDRAWN	5-21-79	JV	DECIMAL ± .010				
								METRIC ± .25				

CH Cole Hersee Co.
3700 AVENUE SIX - BOSTON, MASSACHUSETTS 02134

**4-POSITION
IGNITION & START SWITCH**

956-4307

CH 188(4 78)