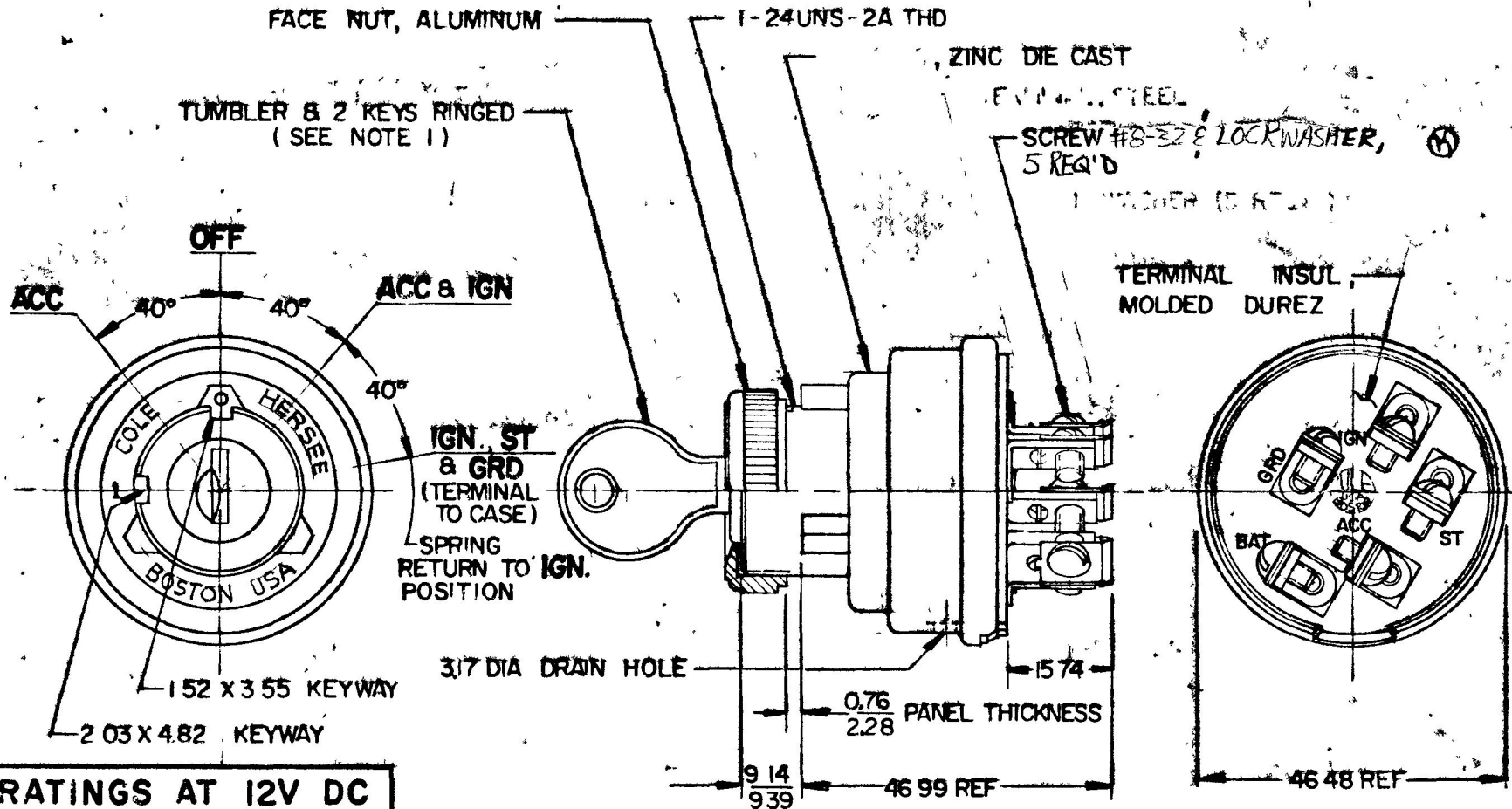


| MM    | N     |
|-------|-------|
| 0.25  | .00   |
| 0.76  | .030  |
| 1.52  | .060  |
| 2.03  | .080  |
| 2.28  | .090  |
| 3.17  | .125  |
| 3.55  | .140  |
| 4.82  | .190  |
| 9.14  | .360  |
| 9.59  | .370  |
| 15.74 | .620  |
| 46.48 | 1.830 |
| 46.99 | 1.850 |

APPLICABLE SAE STANDARD OR RECOMMENDED PRACTICE SAE J259

956-4154



**RATINGS AT 12V DC**

|             |         |
|-------------|---------|
| ACC CIRCUIT | 10 AMPS |
| IGN CIRCUIT | 10 AMPS |
| ST CIRCUIT  | 5 AMPS  |
| GRD CIRCUIT | 1 AMP   |

**METRIC**

**NOTES:**

- 1 SHUTTER TYPE SEAL ON LOCK FACE
- 2 ALL STEEL PARTS PLATED WITH GALVANNEAL PLATE

DO NOT SCALE

| LET | WAS | DATE | BY | LET | WAS | DATE | BY | MATERIAL      | DRAWN                      | CHECKED | APPR'D | SCALE | DATE DRAWN     |
|-----|-----|------|----|-----|-----|------|----|---------------|----------------------------|---------|--------|-------|----------------|
|     |     |      |    |     |     |      |    | —H—           | C F                        | 4/13/78 |        | FULL  | 2-23-67        |
|     |     |      |    |     |     |      |    | FINISH        | COLE-HERSEE COMPANY        |         |        |       | DATE BLUEPRINT |
|     |     |      |    |     |     |      |    | —H—           | BOSTON, MASS 02127, U.S.A. |         |        |       |                |
|     |     |      |    |     |     |      |    | TOLERANCES    | 4-POSITION                 |         |        |       | 956-4154       |
|     |     |      |    |     |     |      |    | FRACTIONAL ±  | IGNITION & START SWITCH    |         |        |       |                |
|     |     |      |    |     |     |      |    | DECIMAL ±0.25 |                            |         |        |       |                |