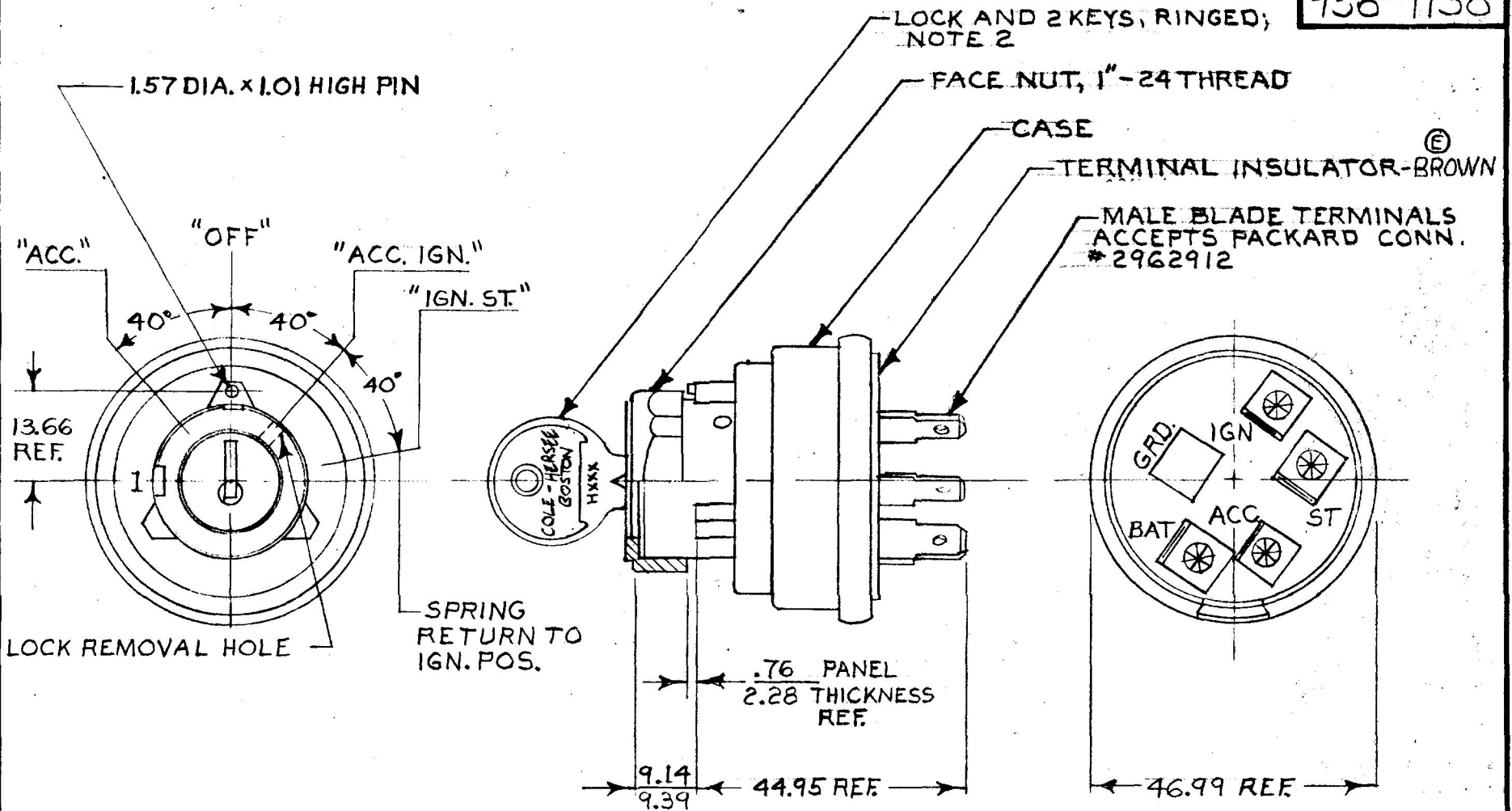


MM IN
 .76 .03
 2.28 .09
 9.14 .36
 9.39 .37
 13.66 .538
 25.65 1.01
 39.88 1.57
 44.95 1.77
 46.99 1.85

956-4138


NPM 8-30-77



- NOTES:
1. SWITCH DESIGNED TO PERMIT REMOVAL OF TUMBLER LOCK IN ACC. POSITION
 2. SWITCH SUPPLIED WITH STRATTEC[®] TUMBLER LOCK NO. 85144.
 3. ALL STEEL PARTS PLATED

METRIC

DO NOT SCALE

LET.	WAS	DATE	BY	LET	WAS	DATE	BY	MATERIAL	DRAWN	CHECKED	APPR'D.	SCALE	DATE DRAWN
								✓	KG	<i>[Signature]</i>		1:1	2-5-76
				G	ECN# 27087	10/21/97	AJS	FINISH					DATE BLUEPRINT
				F	ECN # 26335	10/17/96	Jmp	✓					
				E	ECN 25189	8-14-92	TJH	TOLERANCES	 Cole Hersee Co. <small>26 OLD COLONY AVENUE, SOUTH BOSTON, MA, U.S.A. 02177</small>				
				L	REDRAWN	8-15-89	VK	DECIMAL ±					SWITCH IGNITION & START 4 POS.
								METRIC ±					

CH-188(4-78)