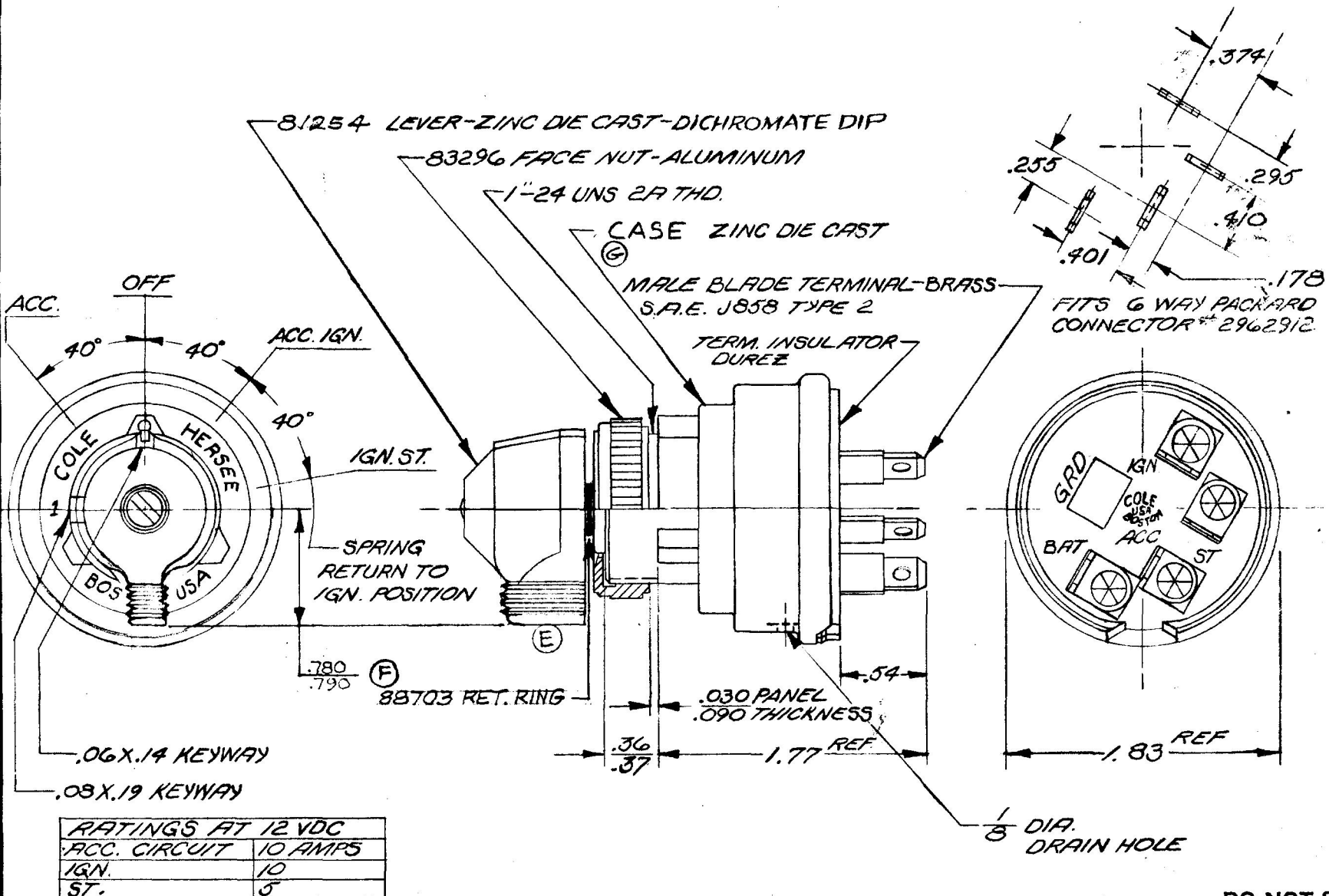


COLE-HERSEE CO. TSE-#1034

APPLICABLE SAE STANDARD OR RECOMMENDED PRACTICE SAE J259

956-4111



RATINGS AT 12 VDC	
ACC. CIRCUIT	10 AMPS
IGN.	10
ST.	5

DO NOT SCALE

LET	WAS	DATE	BY	LET	WAS	DATE	BY	MATERIAL	DRAWN	CHECKED	APPRV'D.	SCALE	DATE DRAWN
				G	HOUSING	8-13-66	CR	///	N.B	UNV 21 MAR 73		FULL	1-18-68
				F	ADDED RING/20329	10-13-78	RR	FINISH	<b>COLE-HERSEE COMPANY</b> BOSTON, MASS. 02127, U.S.A.				DATE BLUEPRINT
				E	LEVER/10343	4-8-77	RE	///					
				D	SAE SPEC ADDED	3-5-74	W	TOLERANCES	4 POSITION IGN. & START SWITCH				956-4111
				C	NO CHANGE	3-21-75	JS	FRACTIONAL ± DECIMAL ±.010					

SPAULDING CO., INC. 47570