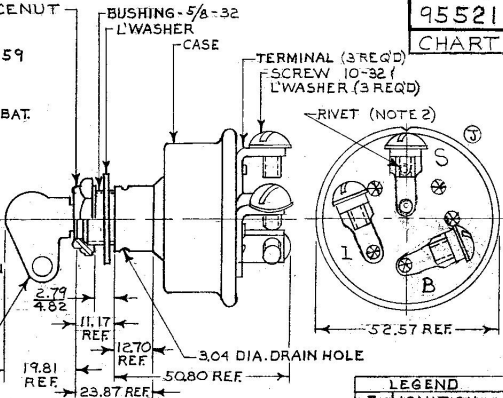
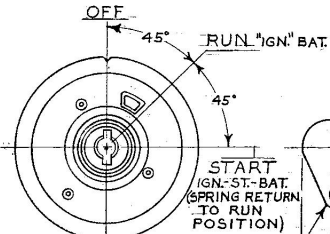


95521
CHART

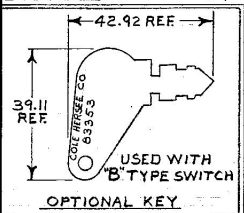
MM IN
2.79 .110
3.04 .120
4.82 .190
11.17 .440
12.70 .500
19.81 .780
23.87 .940
39.11 1.54
42.92 1.69
50.80 2.00
52.57 2.07

APPLICABLE SAE STANDARD OR
RECOMMENDED PRACTICE SAE J259



METRIC

KEY (SEE CHART)



"A" TYPE SWITCH SHOWN

- NOTES:
1. KEY REMOVABLE IN "OFF" POSITION ONLY.
 2. SILVER LAMINATED CONTACT SURFACES AT START POSITION.
 3. "O" RING SEALED AT MTG. STEM.
 4. DESIGNED FOR MAX. OF 70 AMP AT "START" CIRCUIT (MAY PERMIT ELIMINATION OF SOLENOID).
 5. ALL STEEL PARTS PLATED.
 6. RATING: 70 AMPS @ 12VDC (COMBINED LOAD).

LEGEND	
I	IGNITION
S	START
B	BATTERY

95521-B	83353 2 KEYS RINGED
95521-A	83357 2 KEYS RINGED
95521 BASIC	
SWITCH NO.	KEY PART NO.

DO NOT SCALE

LET.	WAS	DATE	BY	LET.	WAS	DATE	BY	MATERIAL	DRAWN	CHECKED	APPROVD.	SCALE	DATE DRAWN
								<i>N</i>	PH	T.N.		1:1	11-26-62
								FINISH					DATE BLUEPRINT
				J	REVETS	11/10/62	BA	TOLERANCES					
				H	RECD	1-17-63	BA	DECIMAL ±					
				G	REDRAWN	9-6-64	BA	METRIC ±	SWITCH, IGN. & ST. 3 POS.				95521

Confidential Property of Cole-Hersee