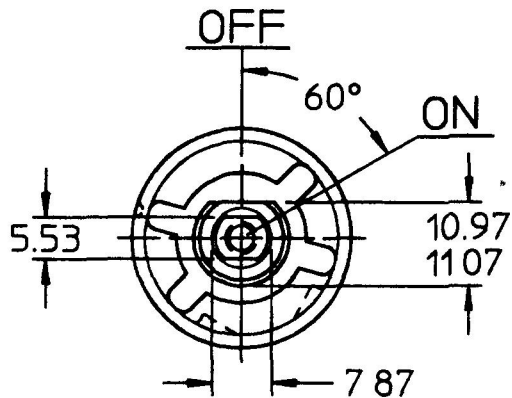
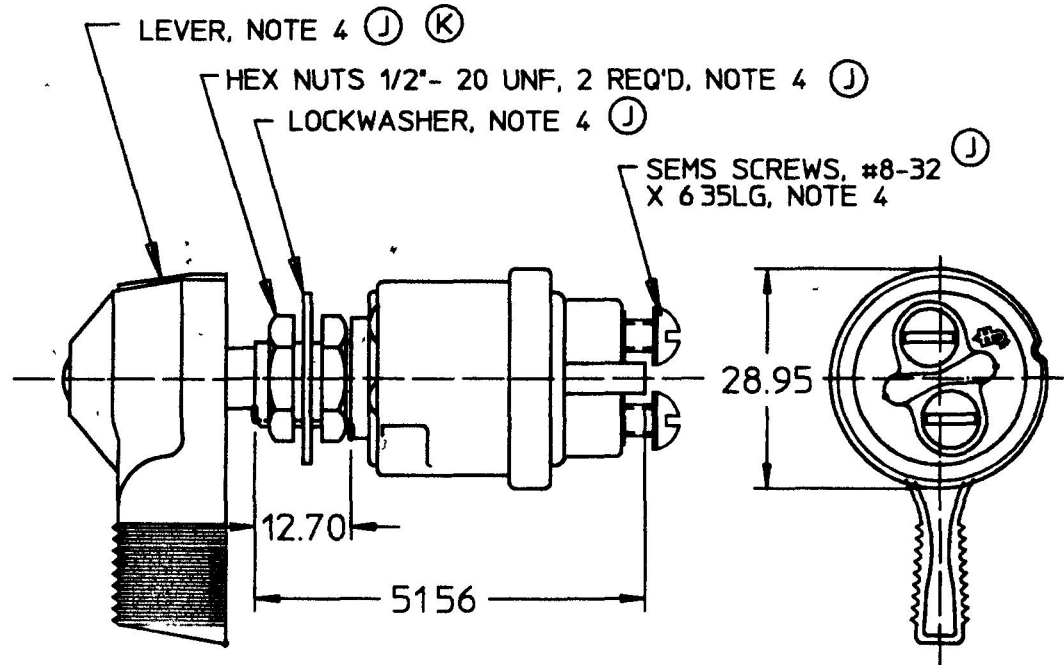


9500

MM	IN
5 53	0 218
7 87	0 310
10 97	0 432
11 07	0 436
12 70	0 500
28 95	1 140
51 56	2 030




SWITCH SHOWN IN  
OFF POSITION  
& LEVER REMOVED



## NOTES

- 1 ALL DIMENSIONS ARE REFERENCE ONLY UNLESS NOTED OTHERWISE
- 2 ALL STEEL PARTS PLATED
- 3 10 AMPS @ 12 VDC
4. PARTS MAY BE ASSEMBLED OR SUPPLIED IN A PLASTIC BAG

DO NOT SCALE

LET	WAS	DATE	BY	LET	WAS	DATE	BY	MATERIAL	DRAWN	CHK	APVD	SCALE	M-497	DATE DRAWN
								N/A	AA	KY	N/A	11		4/23/58
								FINISH N/A	 <b>Cole Hersee Co.</b> 20 OLD COLONY AVENUE, BOSTON, MA, U.S.A., 02127				DATE BLUEPRINTED	
				K	ECN # 99659	01/10/00	MA	TOLERANCES DECIMAL ± N/A ANGLE ± N/A	SW. IGNITION 2 POS.				9500	
				J	PUT ON CAD ECN #26936	9/12/97	AJS							