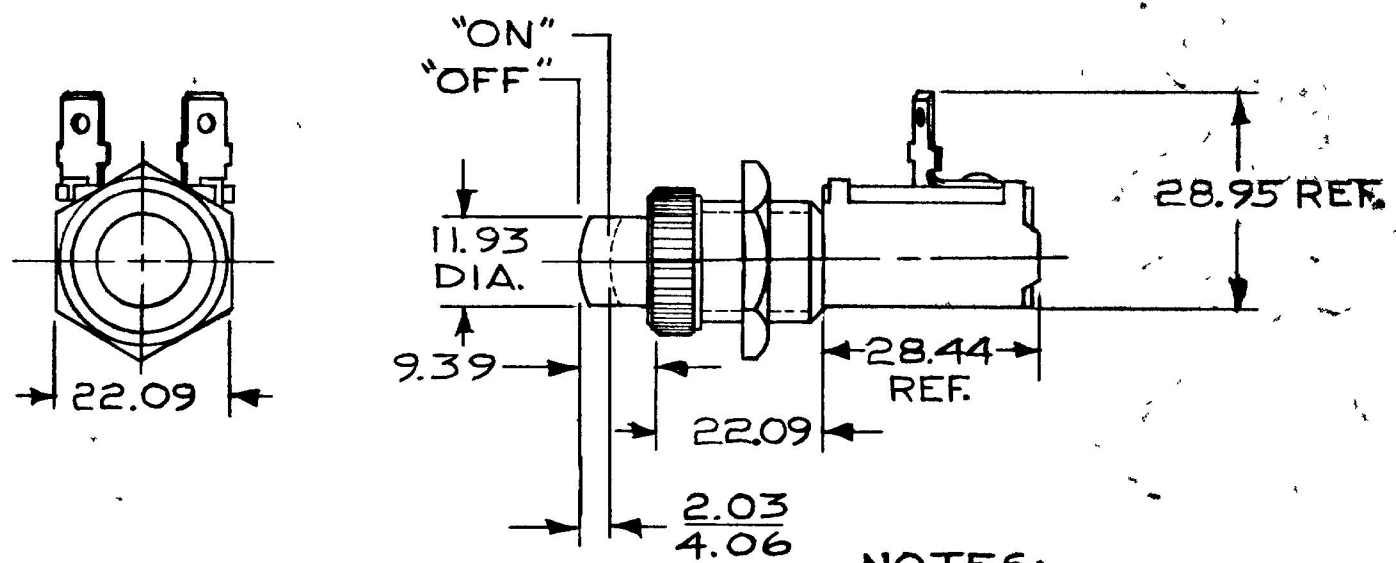
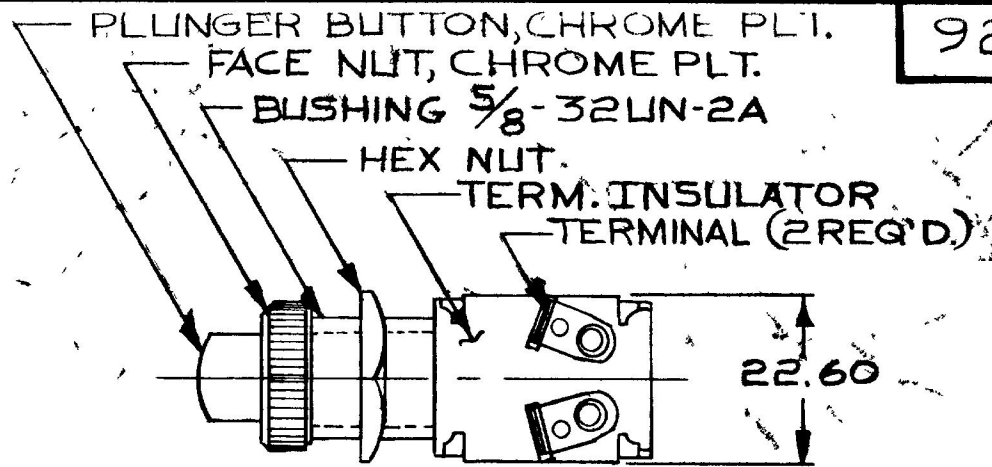


MM IN  
 .25 .010  
 2.03 .080  
 4.06 .160  
 9.39 .370  
 11.93 .470  
 22.09 .870  
 22.60 .890  
 28.44 1.120  
 28.95 1.140

9023  
 (SCREW)

9238



NOTES:  
 1. ALL STEEL PARTS PLATED  
 2. RATING: 10AMPS @ 12VOLTS

METRIC

DO NOT SCALE

LET	WAS	DATE	BY	LET	WAS	DATE	BY	MATERIAL	DRAWN	CHECKED	APPRV D	SCALE	DATE DRAWN
									JP	8-28-80		1:1	6-1-59
								FINISH	 20 OLD COLONY AVENUE SOUTH BOSTON, MA U.S.A. 02127				DATE BLUEPRINT
								TOLERANCES DECIMAL ± METRIC ±.25					NORMALLY "OFF" MOMENTARY SWITCH

CH-188(4-78)