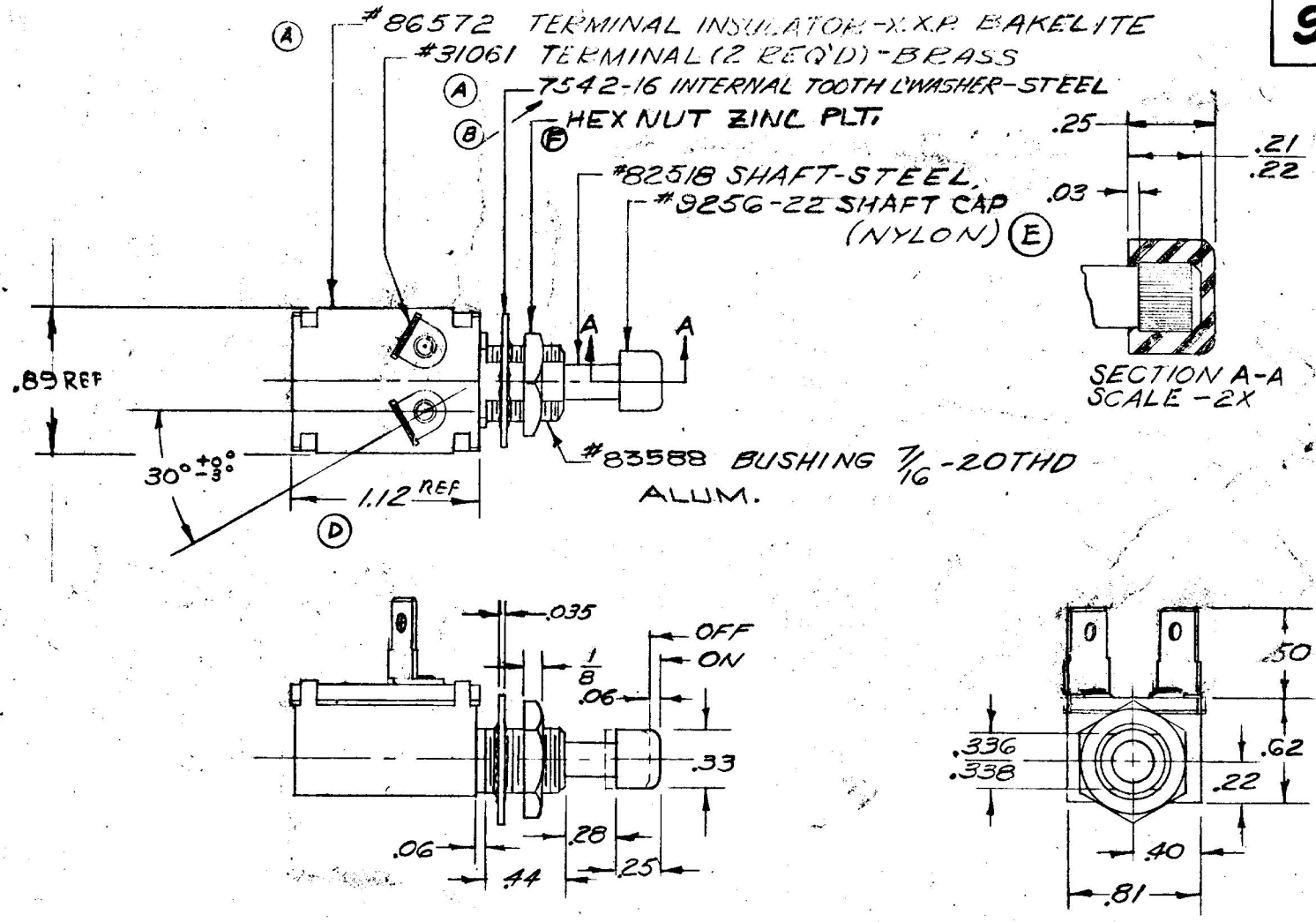


REF
SCREW
9256

9212



NOTES
1) ALL STEEL PARTS PLATED (C)
2) CONTACT & CONTACT RIVETS TO BE BRASS, NOT PLATED

NORMALLY "ON"

LET	WAS	DATE	BY	LET	WAS	DATE	BY	MATERIAL	DRAWN	CHECKED	APPR'V'D	SCALE	USED ON	DATE DRAWN
				D	ADD REF.	17518	1-11-76	RF		JP	H	1=1		3-7-58
				C	9025-2	13963	3-25-64	M	FINISH					DATE ISSUED
G	CAD PLT/25234	11/13/92	TJM	B	8322	10504	11-27-59	E						
F	REV 20975	10-15-80	(B)	A	8503	10492	11-17-59	E						
E	REV/ECN/18760	9-5-74	C		RELEASED		11-10-58	KAS	TOLERANCES FRACTIONAL ±.015 DECIMAL ±.010	NAME				PART NO.
											DOOR SWITCH		9212	
COLE-HERSEE COMPANY BOSTON 27, MASS., U. S. A.														

COLE-HERSEE CO