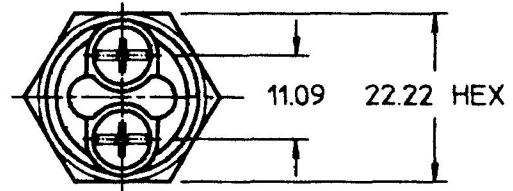
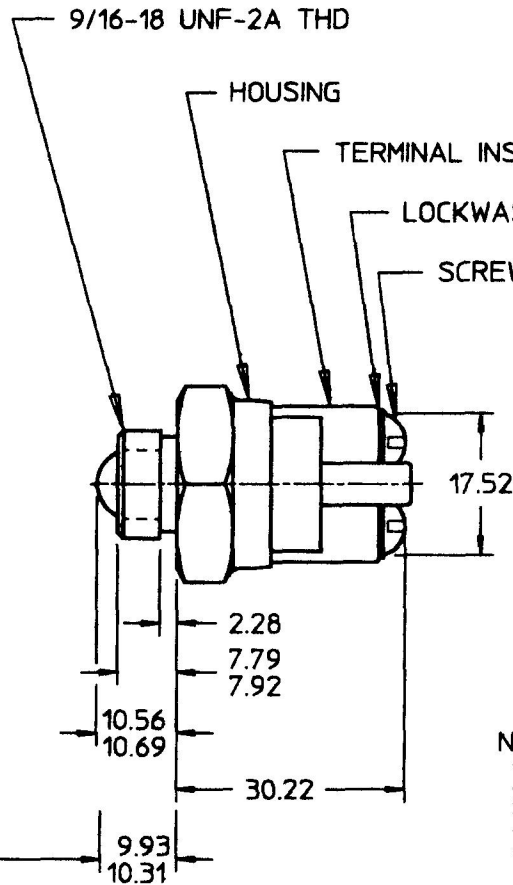


91113

MM	IN
2.28	0.090
7.79	0.307
7.92	0.312
9.93	0.391
10.31	0.406
10.56	0.416
10.69	0.421
11.09	0.437
17.52	0.690
22.22	0.875
30.22	1.190



SWITCH MUST MAKE CONTACT WITHIN THIS RANGE

- NOTES:
1. ALL STEEL PARTS PLATED
 2. ALL DIMENSIONS ARE REFERENCE ONLY
 3. RATING: 20 AMPS @ 12V DC
 4. BALL SHOULD NOT BE DEPRESSED BELOW SURFACE OF HOUSING
 5. SWITCH HOUSING SHALL BE DATE CODED AS TO WEEK & YEAR OF SWITCH MANUFACTURE
 6. SWITCH MUST WITHSTAND DIRECT CURRENT POTENTIAL AT 1500 VOLTS BETWEEN TERMS & TERM TO GROUND IN NORMAL OFF POSITION WITHOUT LEAKAGE AFTER 100,000 CYCLES AT SPECIFIED CURRENT
 7. DIAPHRAGM-BUNA-"N" ASTM SB615A1BE3F2
 8. STATIONARY CONTACTS SOLID SILVER
 9. INSTALLATION TORQUE 40.67 Nm MAX (30 FT LBS MAX)
 10. PARTS MAY BE ASSEMBLED OR SUPPLIED IN A BAG

METRIC

DO NOT SCALE

LET.	WAS	DATE	BY	LET.	WAS	DATE	BY	MATERIAL	DRAWN	CHK	APVD	SCALE	DATE DRAWN
									CF	JMP		1:1	4/13/67
								FINISH	Cole Hersee Co. 20 OLD COLONY AVENUE, BOSTON, MA., U.S.A., 02127				DATE BLUEPRINTED
				S	PUT ON CAD ECN #26936	9/9/97	AJS	TOLERANCES DECIMAL ± ANGLE ±	SW, BALL, NO				91113