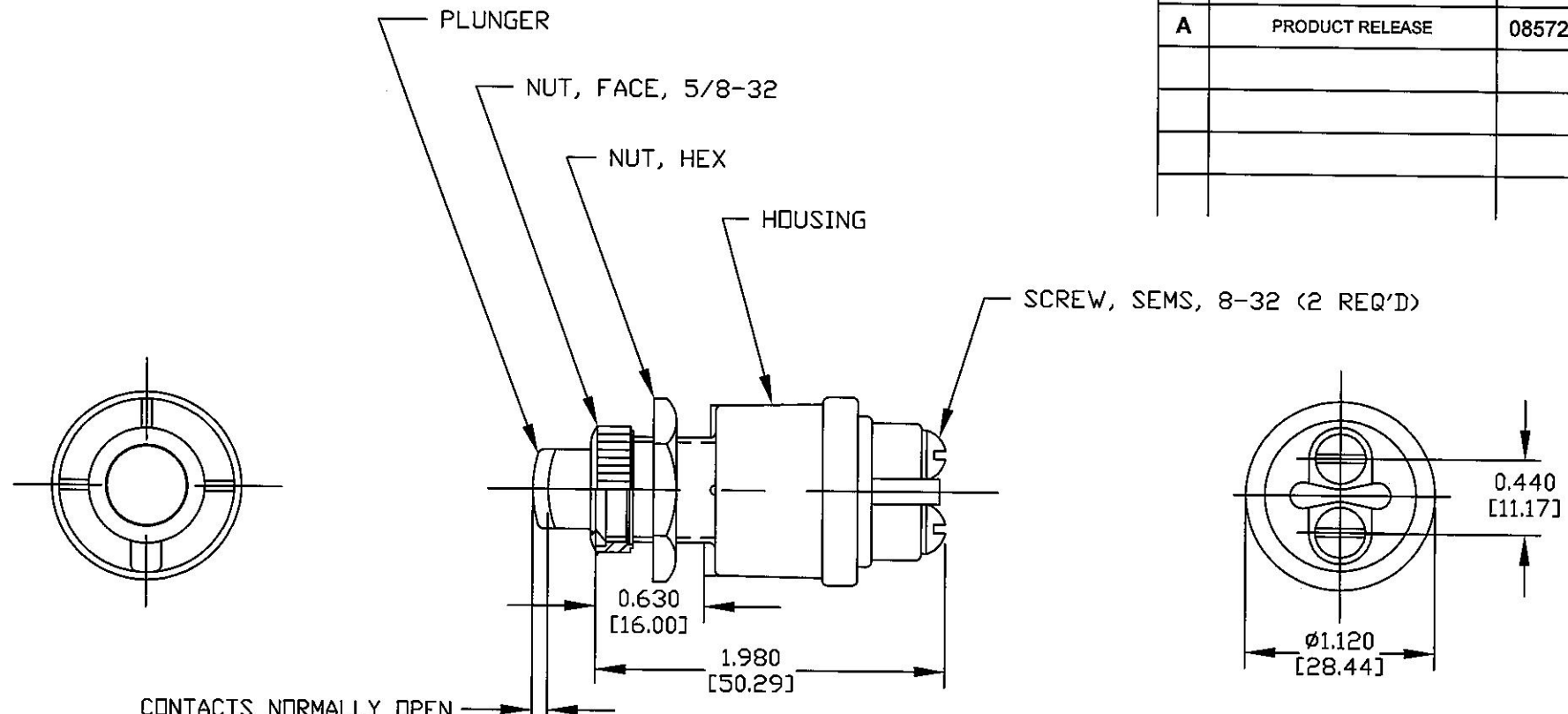


Revision Control Record

Rev.	Description of Change	ECN No.	Date
A	PRODUCT RELEASE	08572	10/29/08



CONTACTS NORMALLY OPEN AND CLOSE WITH PLUNGER DEPRESSED 2.28± .88 AND REMAINDER OF TRAVEL

NOTES:

1. SILVER CONTACT SURFACES
2. ALL STEEL PARTS PLATED
3. ALL HARDWARE ASSEMBLED
4. RATING: 35 AMPS @ 12V
DC 20 AMPS @ 24V DC
5. ALL DIMENSIONS ARE REFERENCE UNLESS OTHERWISE STATED

Tolerances Unless otherwise specifically noted, the following are default tolerances;

2-places $\pm 0.02"$ **3-places** $\pm 0.005"$ **Angular** $\pm 1^\circ$

Metric: Shown in [] refers to equivalent English Dim Tol

"REF." or an Asterisk (*) = Non-Toleranced Reference Dimension, shown for clarification purposes only.

NOTE: All tolerances are Non-Cumulative.

PROPRIETARY INFORMATION
This Engineering Drawing, and the information contained herein, is proprietary to Cole Hersee Company and may not be disclosed, re-produced, or in any other way transferred or communicated to any other party without the express written consent of an authorized representative of Cole Hersee Company.

Special Characteristics:

- Critical Characteristic, relating to Safety and/or Regulatory Compliance
- Significant Characteristic relating to Process Control
- Control Dimension relating to Form - Fit - Function as defined by Cole Hersee Company and/or the Customer

Cole Hersee Co.
20 Old Colony Ave., South Boston, MA, 02127
Phn: 617-268-2100 Web: www.colehersee.com

Description: **SW, MOM, P-P, NO**

FORM CHT-6 (2/07) Used On or Ref.: **EX28594**

Scale: 1:1 Drawn BY: **JJC** Date Drawn: 10/28/08

Pg. 1 of 1

Drawing / Part No.: **9095-16**

Current Rev.: **A**