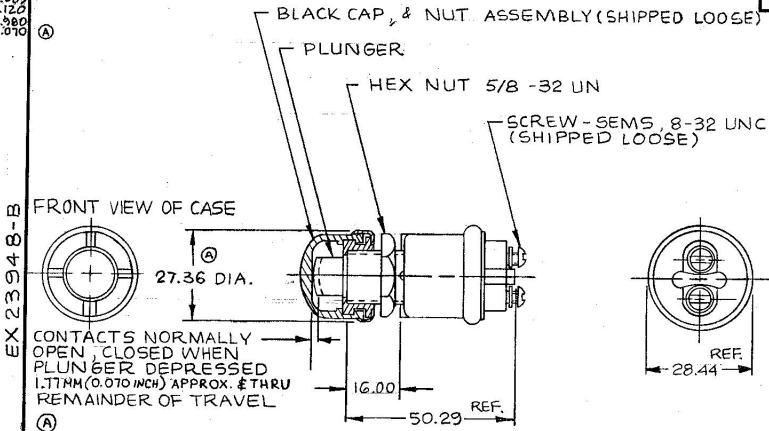


90030-43




RATING:  
35 AMPS @ 12 VDC  
20 AMPS @ 24 VDC

METRIC

Confidential Property of Cole Hersee

DO NOT SCALE

LET.	WAS	DATE	BY	LET	WAS	DATE	BY	MATERIAL	DRAWN	CHECKED	APPROV'D	SCALE	DATE DRAWN
								#	BL	AF		1:1	9-6-90
								FINISH	 Cole Hersee Co. <small>200 COLONY ROAD, WINTHROP, MA 01891</small>				DATE BLUEPRINT
								TOLERANCES					MOM. SWITCH NO.
				A	ECN 02323	6/25/02	ML	DECIMAL $\pm$					
					ISSUED	9/11/90	AF	METRIC $\pm .25$					