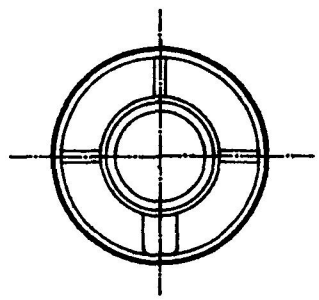
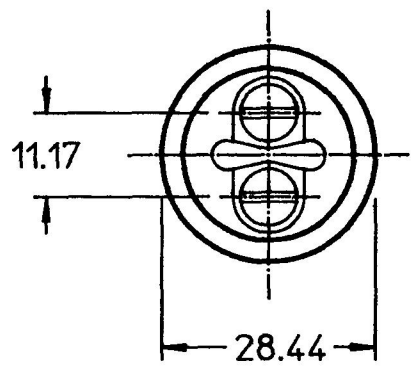
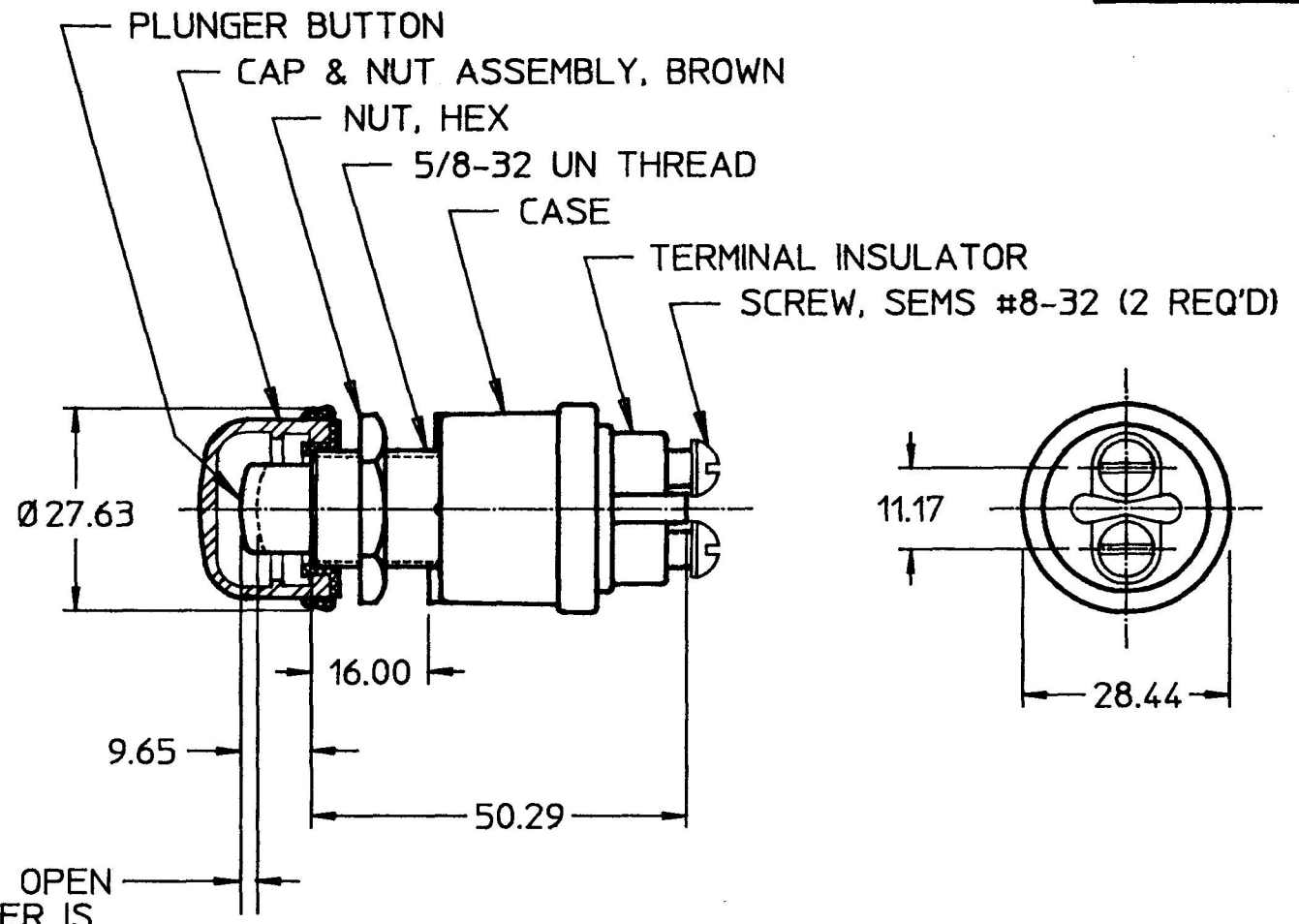


MM	IN
1.77	0.070
9.65	0.380
11.17	0.440
16.00	0.630
27.63	1.088
28.44	1.120
50.29	1.980



FRONT VIEW OF CASE



CONTACTS NORMALLY OPEN  
CLOSED WHEN PLUNGER IS  
DEPRESSED 1.770 APPROX.  
AND THRU REMAINDER OF  
TRAVEL

35 AMPS	12 VDC
20 AMPS	24 VDC
<b>CURRENT RATING</b>	

- NOTES:  
1. ALL STEEL PARTS PLATED  
2. SILVER CONTACT SURFACES

**METRIC**

**DO NOT SCALE**

LET.	WAS	DATE	BY	LET.	WAS	DATE	BY	MATERIAL	DRAWN	CHK	APVD	SCALE	90030 EXCEPT WITH BEIGE CAP & NUT ASSY	DATE DRAWN
									RW	JL		1:1		4/7/71
								FINISH	<b>Cole Hersee Co.</b> 20 OLD COLONY AVENUE, BOSTON, MA, U.S.A. 02127					DATE BLUEPRINTED
								TOLERANCES DECIMAL ± ANGLE ±						SWITCH, MOM, NO
				K	PUT ON CAD	1/25/93	MJT							