

4

3

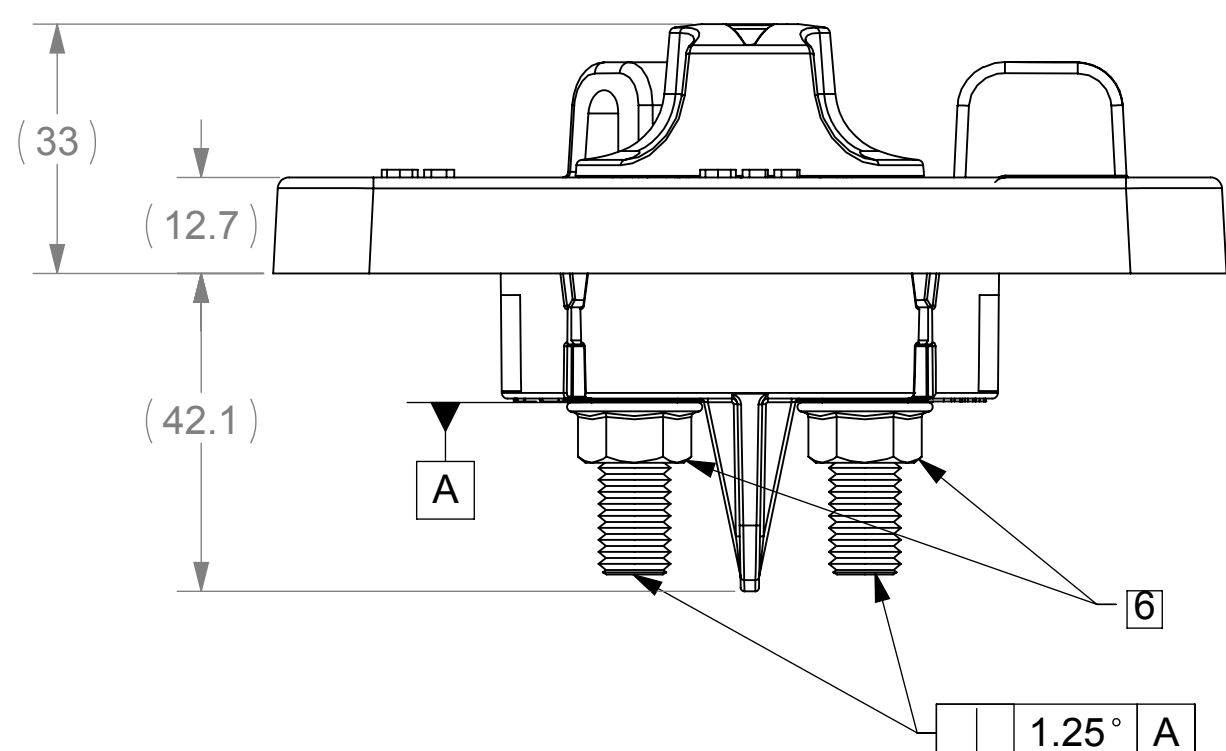
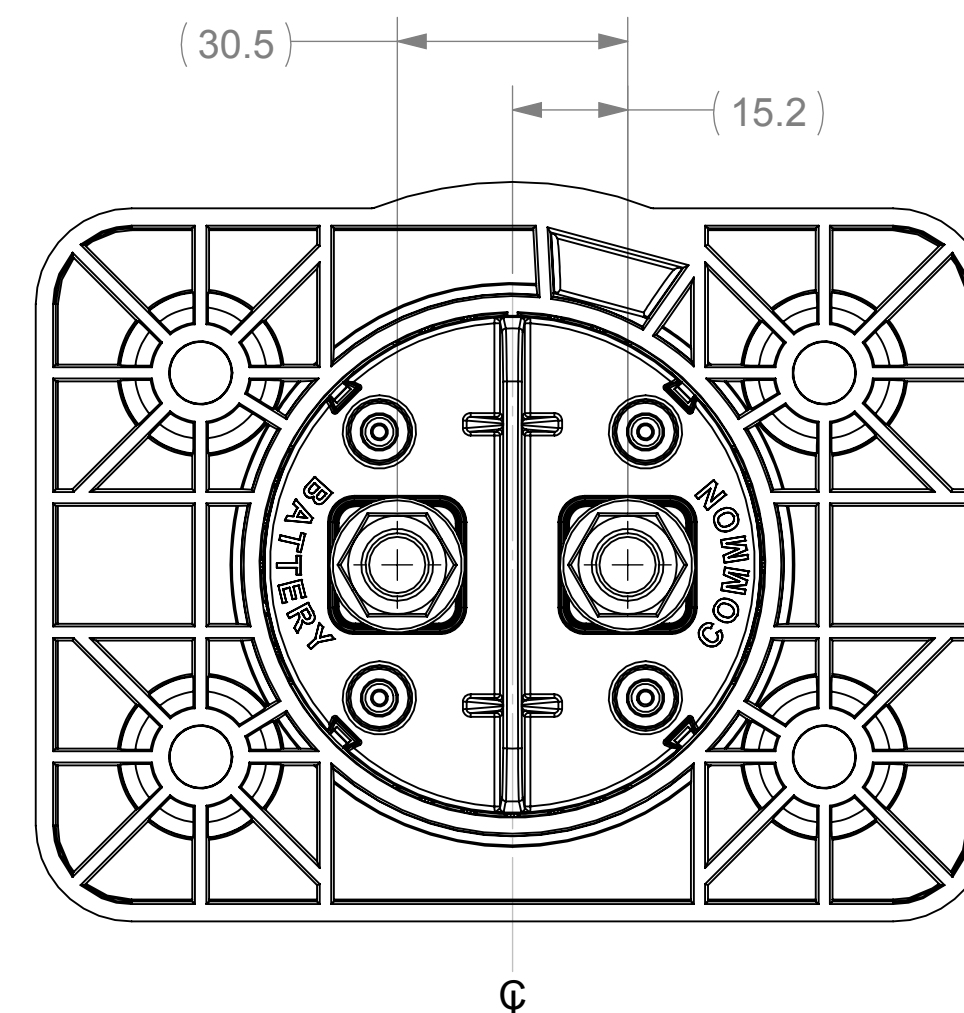
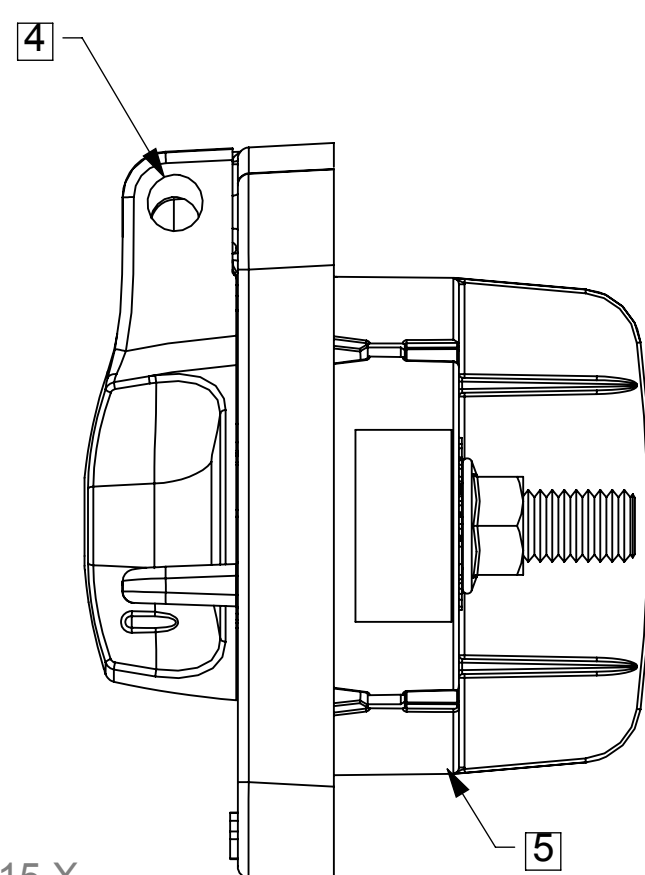
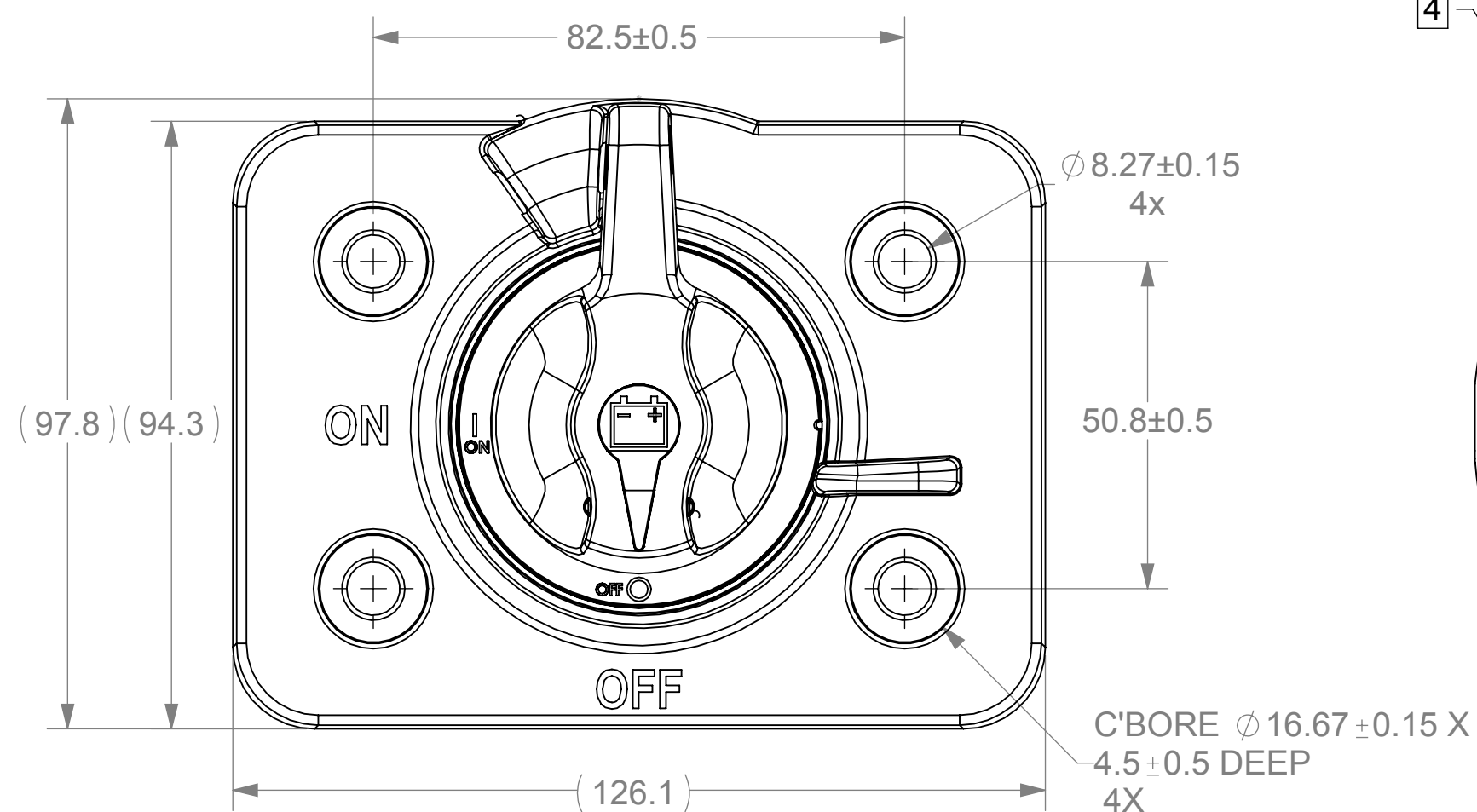
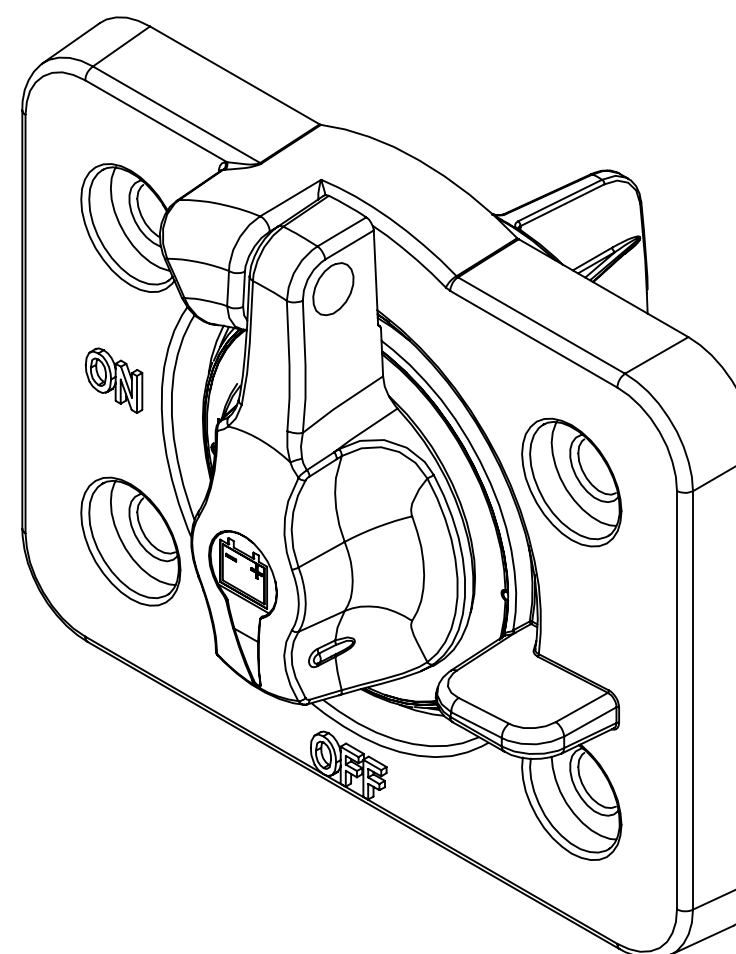
2

1

REVISIONS				
ZONE	REV.	DESCRIPTION	DATE	APPROVED
	A	Per EC# 515700: INITIAL RELEASE OUTLINE DRAWING	3/22/2016	J. Liu
	B	PER EC#515935: ADDED A PERPENDICULARITY CALLOUT	5/26/2016	J. Liu

NOTES: (UNLESS OTHERWISE SPECIFIED)

- ASSOCIATED CAD FILE DEFINES ALL NONDIMENSIONED FEATURES
- PRODUCT WEIGHT: 0.22 Kg
- MAXIMUM TERMINAL STUD TORQUE: 13.56 NM (120IN-LB)
- PAD LOCK HOLE FOR LOCKOUT IN OFF POSITION
- FRONT PANEL MOUNT IN 67MM (2-5/8") HOLE
- TERMINAL HARDWARE: 3/8"-16 NUT SERRATED FLANGE, STAINLESS STEEL
- ELECTRICAL SPECIFICATOIN:
 - MAX OPERATING VOLTAGE: 32V DC
 - MAX CONTINUOUS CURRENT: 300A
 - CRANKING RATING (30 SEC) (1X4/0 CABLE): 1,250A
- INGRESS RATING: IP67 & IP69K
- IGNITION PROTECTION: MEETS ISO 8846 7 SAE J1171



DIMENSIONS ARE IN MM.
 DIMENSIONS AND TOLERANCES ARE DEFINED ACCORDING TO ANSI / ASME Y14.5M-1994
 THIS DRAWING AND THE INFORMATION CONTAINED WITHIN IT ARE CONFIDENTIAL AND MAY NOT BE COPIED OR DISCLOSED WITHOUT THE WRITTEN PERMISSION OF LITTELFUSE.

DRAWN	J. Liu	DATE	3/22/2016
CHECKED	-	-	-
-	-	-	-
-	-	-	-

THIRD ANGLE PROJECTION

Littelfuse
 Experts In Protection | Answers In Innovation
 805 W ORCHARD DR. STE 6, BELLINGHAM, 98225
 Phone (360)738-9010 Fax (360)738-0372

Switch Master On-Off Panel Mount, Lock Out

SIZE	DWG. NO.	REV.
C	OL-880064	B

SCALE 1:1 SHEET 1 OF 1