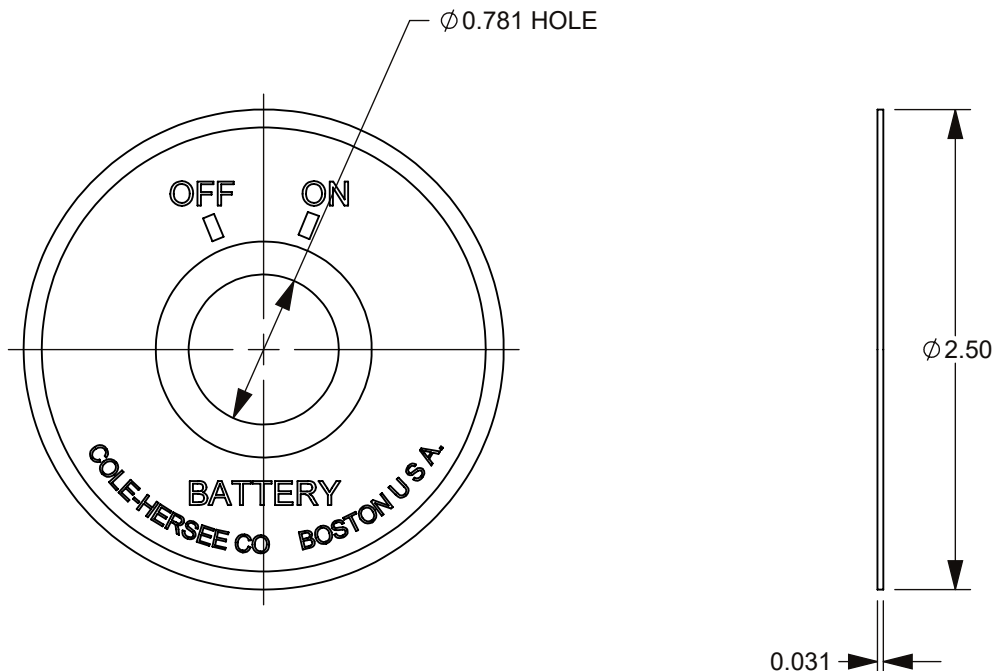


THIS DRAWING AND THE INFORMATION CONTAINED WITHIN IT ARE CONFIDENTIAL AND MAY NOT BE COPIED OR DISCLOSED WITHOUT THE WRITTEN PERMISSION OF LITTELFUSE.

REVISIONS				
ZONE	REV.	DESCRIPTION	DATE	APPROVED
	A	PCO #5300102. INITIAL RELEASE. DSILVA.	9/7/2022	L.ARGIL



NOTES:

1. MATERIAL: ALUMINIUM (INNER AND OUTER BANDS AND ALL LETTERING, BACKGROUND TO BE DARK BLUE).
2. ALL DIMENSIONS ARE IN INCHES.
3. TOLERANCES:
DECIMAL: ± 0.005

DIMENSIONS ARE SHOWN IN MILLIMETERS. DIMENSIONS AND TOLERANCES ARE DEFINED ACCORDING TO ANSI/ASME Y14.5-1994.					
PER CHI-NPDD20-0008 PROCEDURE		FIT/ FUNCTION CRITICAL CHARACTERISTICS			
	<S>	SAFETY/ COMPLIANCE CRITICAL CHARACTERISTICS SYMBOL			
	CPK	DENOTES CPK DIMENSIONS MINIMUM CPK VALUE			
		DENOTES A CHARACTERISTIC THAT PROVIDES AN INDICATION OF PROCESS PERFORMANCE. PROCEDURE FOR MEASUREMENT AND TRACKING TO BE DEFINED IN LITTELFUSE INSPECTION INSTRUCTIONS			
	CP	DENOTES CP DIMENSIONS, -MINIMUM CP VALUE MUST BE WITHIN THE DIMENSIONAL LIMITATIONS SHOWN ON DRAWING AND INITIALLY LOCATED TO ALLOW FOR MAXIMUM TOOL LIFE			
	NAME	DATE	 Expertise Applied Answers Delivered		
DRAWN	DSILVA	7/27/2022			
CHECKED	-	-			
	-	-			
FORM NO: CVP-PE40-0001 REV B			TITLE		
THIRD ANGLE PROJECTION					
		SIZE	DWG. NO.	OL-82065	REV. A
		B	OUTLINE		
DO NOT SCALE DRAWING			SCALE 1:1	SHEET 1 OF 1	