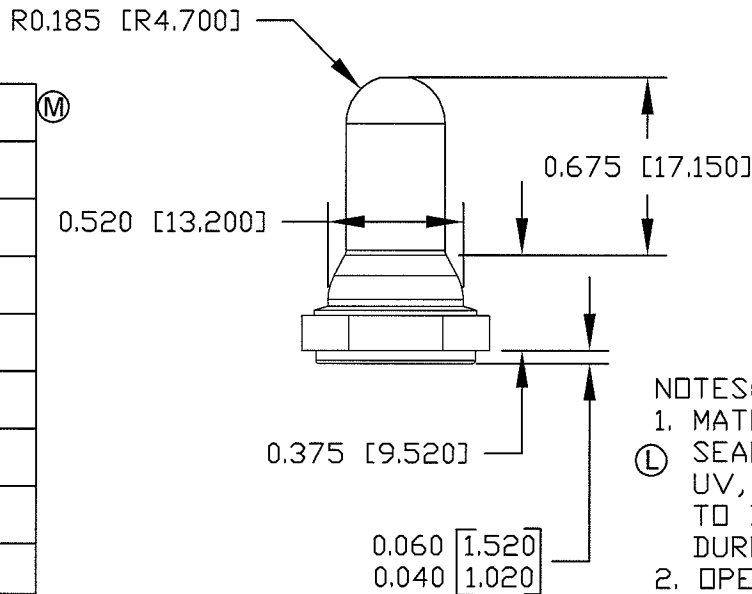
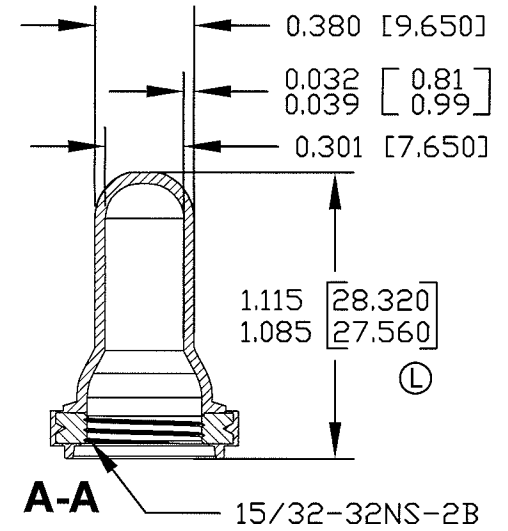
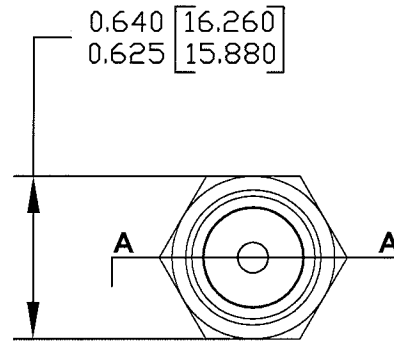


**Revision Control Record**

Rev.	Description of Change	ECN No.	Date
K	DIMENSION	02335	7/12/02
L	DIMENSION, ADD PANTONE	12356	12/17/12
M	-09 BOOT; LIGHTGRAY ADDED	13105	06/17/13



- NOTES:
1. MATERIAL: NUT, BRASS, NICKEL PLATED;
  - ① SEALING MATERIAL: SILICONE RUBBER, UV, SUNLIGHT & OZONE RESISTANT; CONFORMS TO ZZ-R-765 CLASS 3 OR EQUIV. ASTM D1418; DUREMETER: 30-40 MAX
  2. OPERATING TEMP: -20C ~190C
  3. WITHSTAND PRESSURE: 15PSI MIN, 1500PSI MAX
  4. BOOT MUST REMAIN SOFT AND NOT BE RIGID
  - ① WITHIN TEMP RANGE LISTED ABOVE.

81264-09	LIGHT GRAY	429C	Ⓜ
81264-08	ORANGE	1495C	
81264-07	YELLOW	YELLOW C	
81264-06	BROWN	478C	
81264-05	RED	185C 2X	
81264-04	GREEN	356C	
81264-03	CLEAR	651C	
81264-02	BLUE	662C	
81264-01	BLACK	BLACK	
81264	Ⓜ DARK GRAY	PMS 445/446	
PART NO.	COLOR	PANTONE	

**Tolerances** Unless otherwise specifically noted, the following are default tolerances;

- \* 2-place Decimal Dimensions +/- .02"
  - \* 3-place Decimal Dimensions +/- .005"
  - \* Angular Dimensions +/- 1.0 Deg.
  - \* Metric: Refer to equivalent English Dimension Tolerance
- >>> NOTE: All tolerances are Non-Cumulative. <<<

**Dimensional Units** All dimensions are expressed in inches except those shown in brackets (xxx) are expressed in millimeters

"REF." or an Asterisk (\*) = Non-Toleranced Reference Dimension, shown for clarification purposes only.

**PROPRIETARY INFORMATION** This Engineering Drawing, and the information contained herein, is proprietary to Cole Hersee Company and may not be disclosed, re-produced, or in any other way transferred or communicated to any other party without the express written consent of an authorized representative of Cole Hersee Company.

**DESIGN CONTROL** It is the responsibility of the individual using / referencing this drawing to assure that the noted design revision level agrees with the revision level of the Controlled Document (Master Drawing). This is a NON-CONTROLLED DOCUMENT unless otherwise specifically noted.

**DO NOT SCALE** - Dimensional variation may occur during printing / reproduction.

**Key for Special Characteristics:**

- Ⓢ Critical Characteristic, relating to Safety and/or Regulatory Compliance
- Ⓧ Significant Characteristic relating to Process Control (SPC)
- Ⓢ Control Dimension relating to Form - Fit - Function as defined by Cole Hersee Company and/or the Customer

(Note that the identification of any Characteristics as being "Special" does not alter the requirement that ALL specified dimensions & tolerances must be met.)



**Cole Hersee Co.**

20 Old Colony Ave., South Boston, MA, 02127  
Phn: 617-268-2100 Web: www.colehersee.com

**Description:**

**BOOT**

**Drawing / Part No.:**

**81264-CHART**

**Current Rev.:**

**M**

Used On or Ref.: **EX16782B**

Scale: **1:1**

Drawn By: **A.VISCO**

Date Drawn: **12/12/12**

Responsible Engineer: **G.Auguste**

Pg. 1 of 1