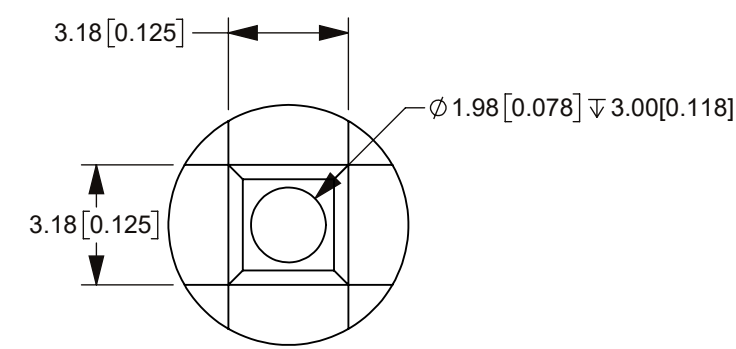
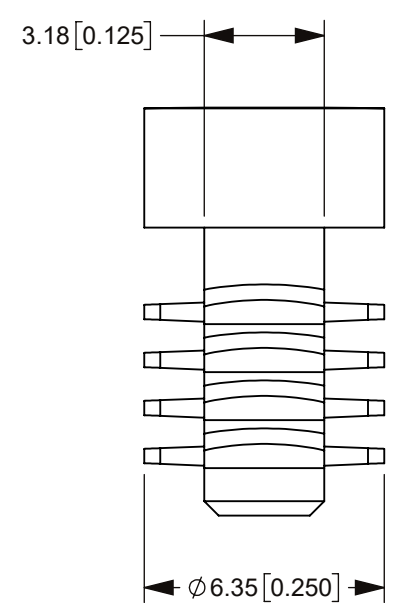
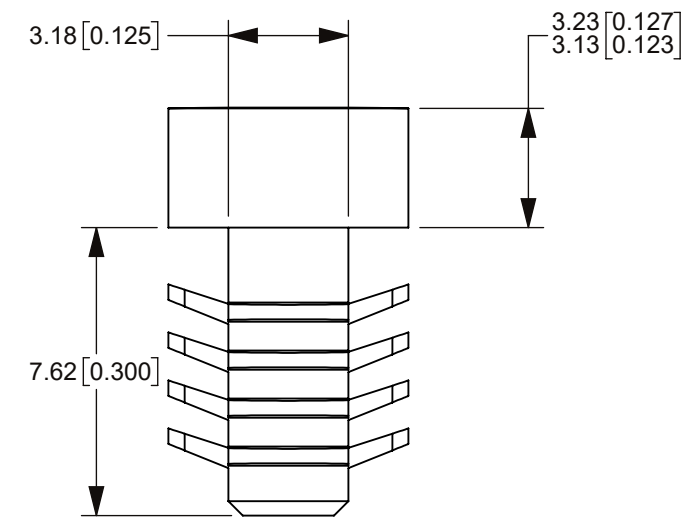
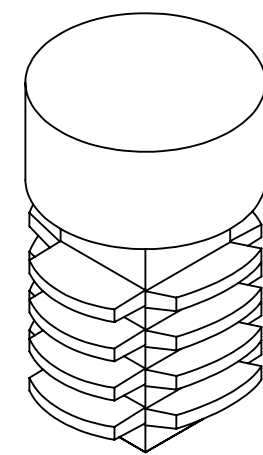
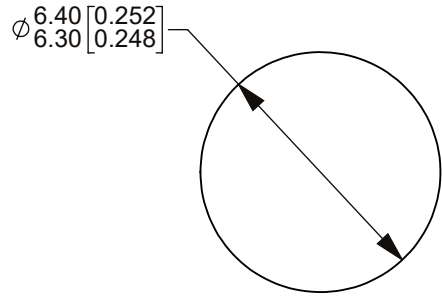


THIS DRAWING AND THE INFORMATION CONTAINED WITHIN IT ARE CONFIDENTIAL AND MAY NOT BE COPIED OR DISCLOSED WITHOUT THE WRITTEN PERMISSION OF LITTELFUSE.

PART NUMBER	COLOR
80456	RED
80456-1	YELLOW
80456-2	BLACK

REVISIONS				
ZONE	REV.	DESCRIPTION	DATE	APPROVED
	A	PCO #5300102. INITIAL RELEASE. DSILVA	10/3/2022	L.ARGIL



- NOTES:
- MATERIAL PVC, SEE CHART FOR COLOR.
 - DRAFT 0°-30° PER SIDE UNLESS NOTED OTHERWISE.
 - DIMENSIONS IN INCHES ARE SHOWN IN [] (REFERS TO EQUIVALENT METRIC DIMENSION TOLERANCE).
 - ALL TOLERANCES ARE NON-CUMULATIVE.
 - DIMENSIONS IN INCHES ARE MANDATORY.

NO.	COMPONENT NO.	COMPONENT NAME	QTY	U
TOLERANCES UNLESS OTHERWISE SPECIFICALLY NOTED, THE FOLLOWING ARE THE DEFAULT TOLERANCES (INCHES).				
TWO PLACES ±0.02"		THREE PLACES ±0.005"	ANGULAR ±1°	

DIMENSIONS ARE SHOWN IN MILLIMETERS. DIMENSIONS AND TOLERANCES ARE DEFINED ACCORDING TO ANSI/ASME Y14.5-1994.

PER CHI-NP020-0008 PROCEDURE	SYMBOL	DESCRIPTION
●		FIT/ FUNCTION CRITICAL CHARACTERISTICS
<S>		SAFETY/ COMPLIANCE CRITICAL CHARACTERISTICS SYMBOL
CPK		DENOTES CPK DIMENSIONS MINIMUM CPK VALUE
ST		DENOTES A CHARACTERISTIC THAT PROVIDES AN INDICATION OF PROCESS PERFORMANCE. PROCEDURE FOR MEASUREMENT AND TRACKING TO BE DEFINED IN LITTELFUSE INSPECTION INSTRUCTIONS
CP		DENOTES CP DIMENSIONS. -MINIMUM CP VALUE MUST BE WITHIN THE DIMENSIONAL LIMITATIONS SHOWN ON DRAWING AND INITIALLY LOCATED TO ALLOW FOR MAXIMUM TOOL LIFE

<table border="1"> <thead> <tr> <th>NAME</th> <th>DATE</th> </tr> </thead> <tbody> <tr> <td>DRAWN DSILVA</td> <td>7/26/2022</td> </tr> <tr> <td>CHECKED -</td> <td>-</td> </tr> <tr> <td>-</td> <td>-</td> </tr> <tr> <td>-</td> <td>-</td> </tr> </tbody> </table>	NAME	DATE	DRAWN DSILVA	7/26/2022	CHECKED -	-	-	-	-	-	<p>Littelfuse Expertise Applied Answers Delivered</p>
NAME	DATE										
DRAWN DSILVA	7/26/2022										
CHECKED -	-										
-	-										
-	-										
FORM NO: CVP-PE40-0003 REV B THIRD ANGLE PROJECTION											
<table border="1"> <thead> <tr> <th>SIZE</th> <th>DWG. NO.</th> <th>REV.</th> </tr> </thead> <tbody> <tr> <td>B</td> <td>OUTLINE</td> <td>A</td> </tr> </tbody> </table>	SIZE	DWG. NO.	REV.	B	OUTLINE	A	TITLE PIN				
SIZE	DWG. NO.	REV.									
B	OUTLINE	A									
DO NOT SCALE DRAWING	SCALE 5:1	OL-80456	SHEET 1 OF 1								