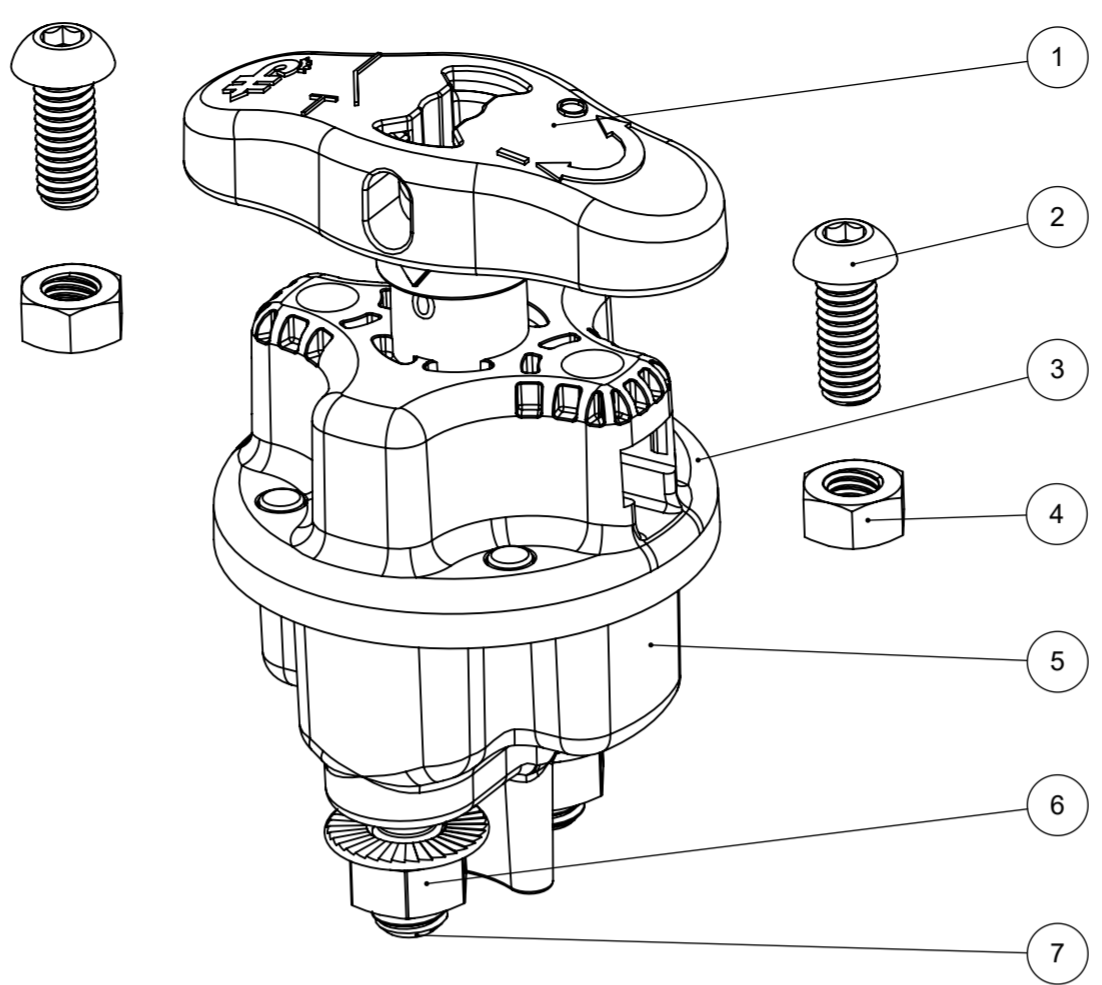
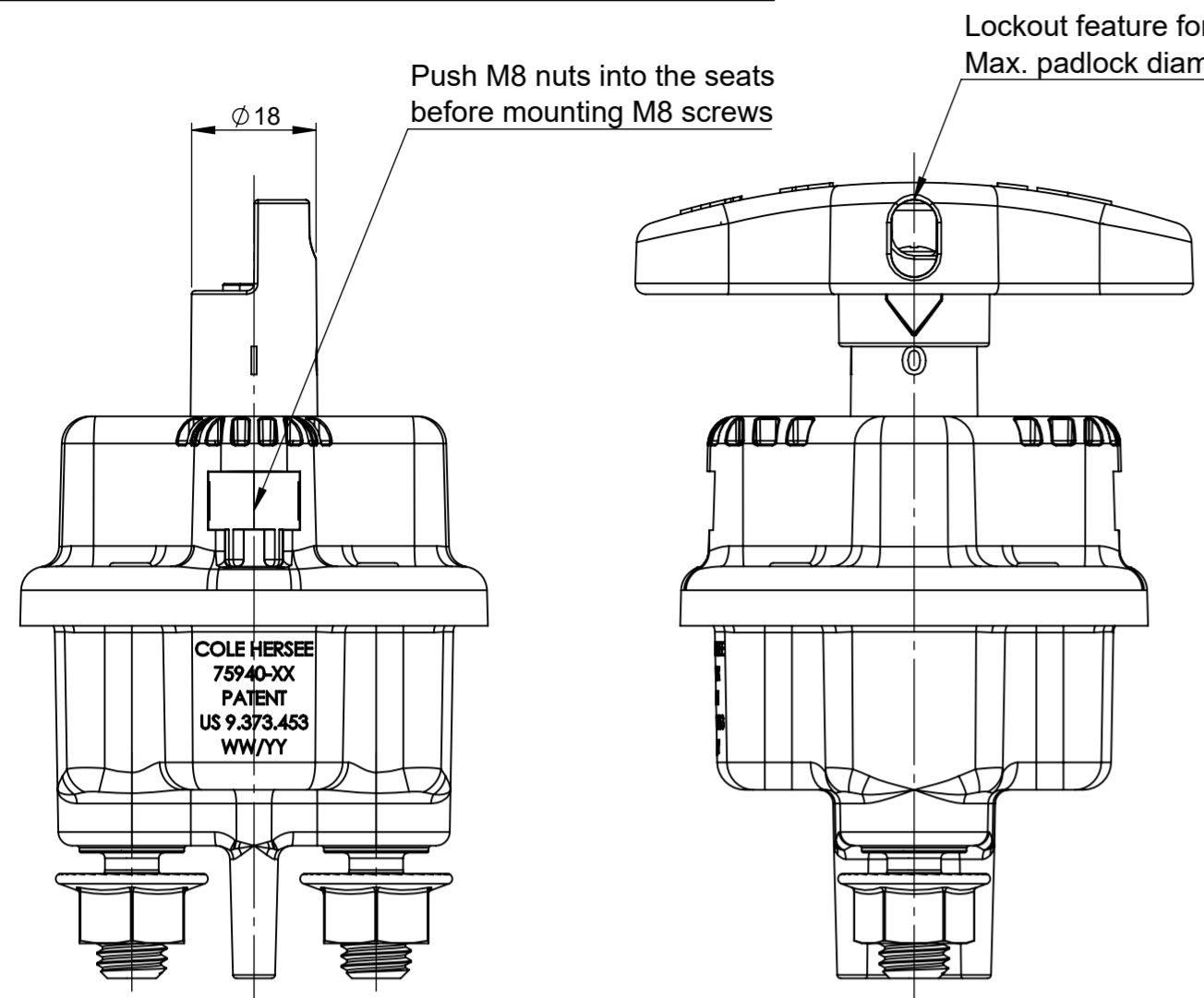


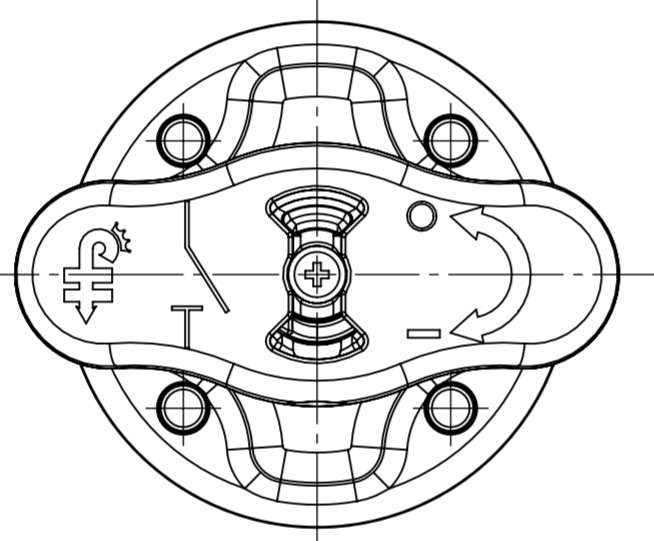
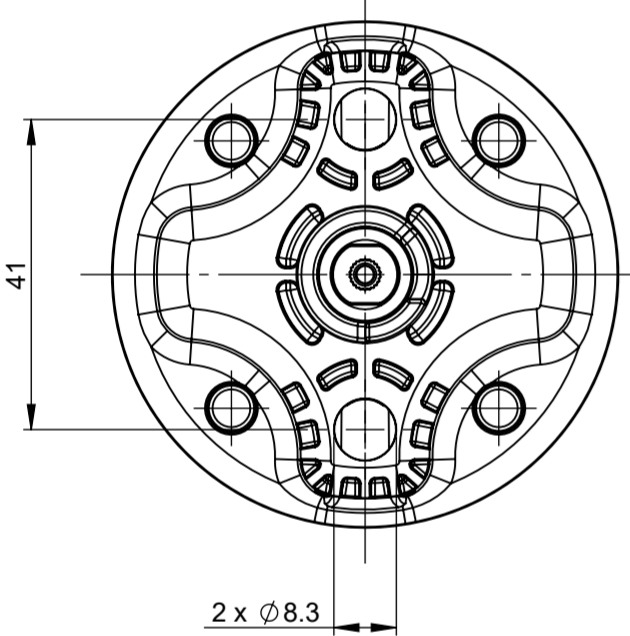
THIS DRAWING AND THE INFORMATION CONTAINED WITHIN IT ARE CONFIDENTIAL AND MAY NOT BE COPIED OR DISCLOSED WITHOUT THE WRITTEN PERMISSION OF LITTELFUSE.

REV.	DESCRIPTION	DATE	GCF / ECR	DESIGNED	APPROVED
A	Initial release	07 Nov 2023		T.Bianchin	M.Tinto

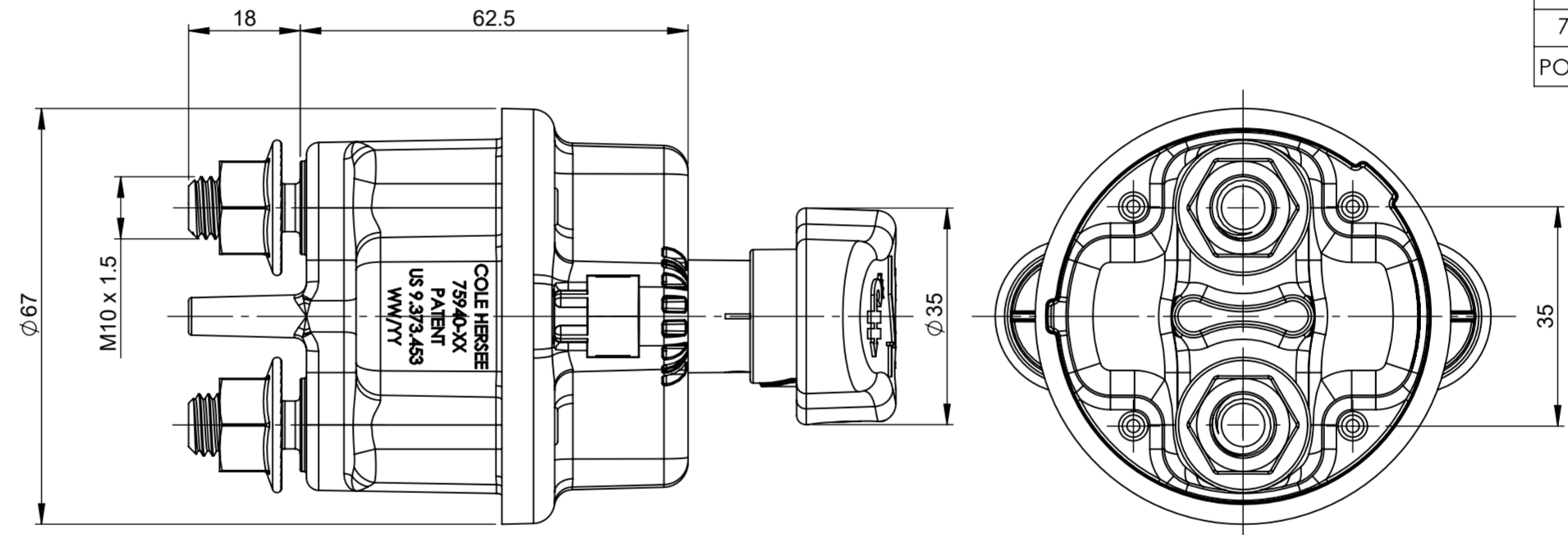


MASTER DISCONNECT SWITCH CONFIGURATION CHART			COMPLETE HANDLE LF SPARE PNS CHART		
PRODUCT NUMBER	HANDLE COLOR	PACKAGING	PRODUCT NUMBER	HANDLE COLOR	PACKAGING
75940-01-BP	RED	BLISTER	63989-A	RED	BULK
75940-02-BP	YELLOW	BLISTER	63988-A	YELLOW	BULK
75940-03-BP	BLACK	BLISTER	63990-A	BLACK	BULK
75940-01	RED	BULK			
75940-02	YELLOW	BULK			
75940-03	BLACK	BULK			

POS.	COMPONENT NAME	MATERIAL	Q.TY	NOTE
1	Complete handle	Thermoplastic reinforced PA66 class V-0, stainless steel	1	Pre-assembled
2	Screw M8	Stainless steel	2	Included in the kit Not assembled
3	Upper housing	Thermoplastic reinforced PA66 class V-0 colour black	1	
4	Nut M8 hex	Stainless steel	2	Included in the kit Not assembled
5	Backplate	Thermoplastic reinforced PPA class V-0 colour black	1	
6	Nut M10 hex flange	Stainless steel	2	Pre-assembled
7	Stud M10	Silver plated copper	2	



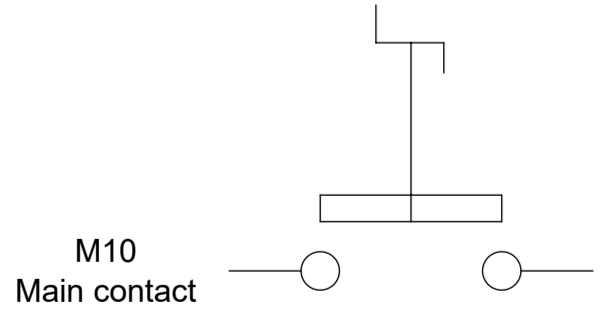
STATE OF SUPPLY: OFF POSITION



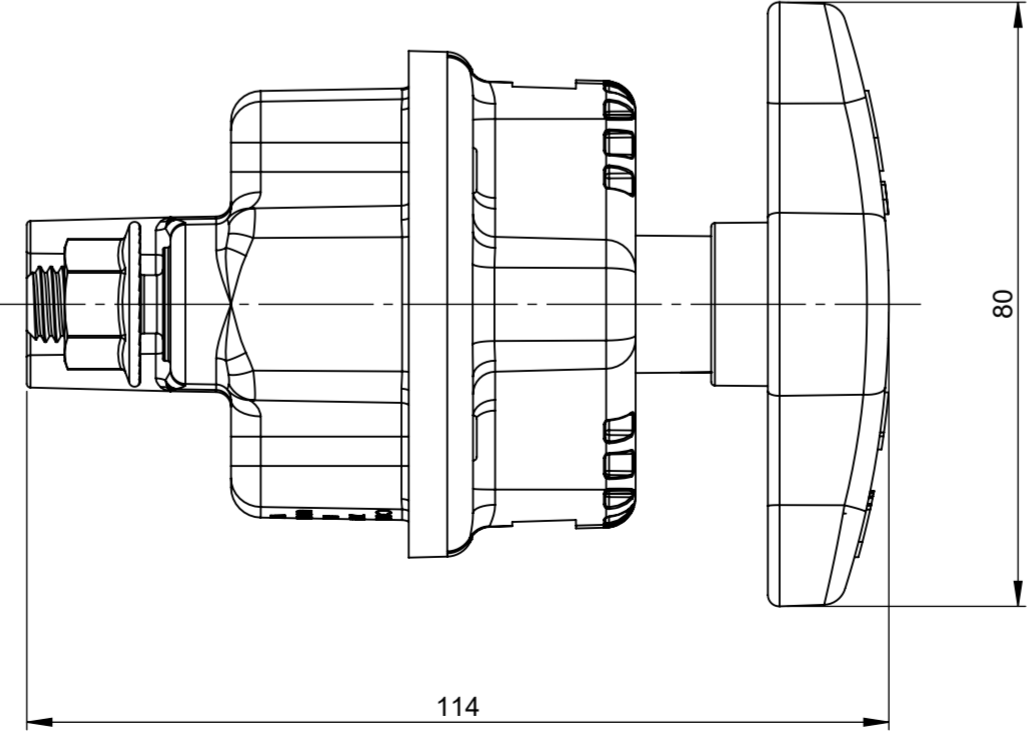
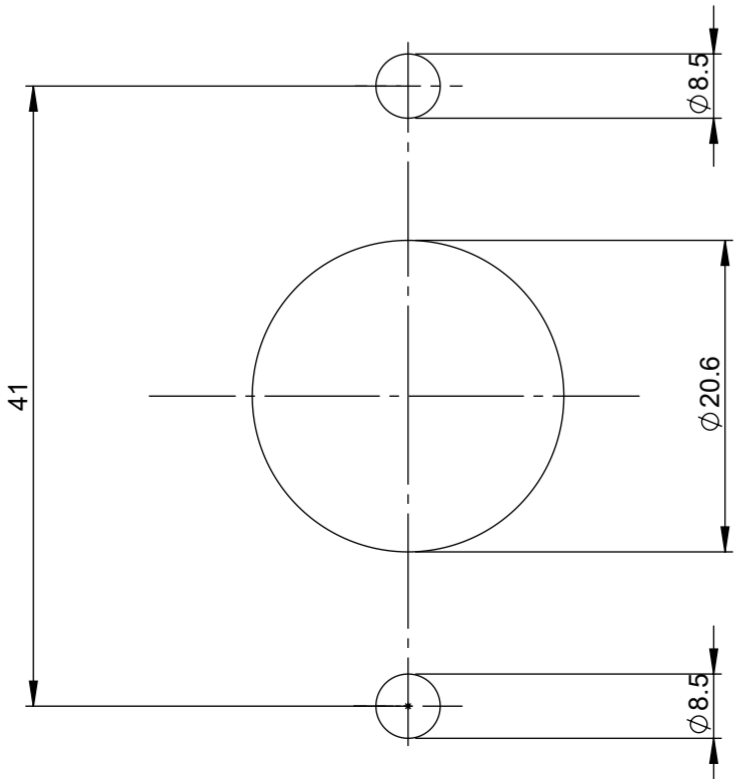
CHARACTERISTICS
 OPERATING TEMPERATURE: -40°C to +85°C.
 MAXIMUM CONTINUOUS CURRENT ON MAIN CONTACT:
 - 200A WITH 90MM2 CABLES;
 - 300A WITH 120MM2 CABLES.
 MAXIMUM PEAK CURRENT ON MAIN CONTACT:
 - 500A FOR 60S AND 1000A FOR 15SEC.
 ANGLE AT WHICH IT DOES SWITCH ON: >25°.
 VOLTAGE RANGE: 9V TO 32V.
 NUMBER OF MECHANICAL AND ELECTRICAL OPERATIONS: 5000.

INSTRUCTIONS
 TORQUE FOR M10 CONNECTION: 18±2NM.
 TORQUE FOR M8 MOUNTING SCREW: 14±2NM.
 THE HANDLE SCREW TO BE SCREWED DOWN TO THE END WITH A TORQUE OF 0,6±0,2NM.
 WALL THICKNESS: 0,8MM TO 8,5MM.

ELECTRICAL DIAGRAM



FIXING HOLES



NAME		DATE
DRAWN	T. Bianchin	7 Nov 2023
CHECKED	-	-
Expertise Applied Answers Delivered		
FORM NO: CVP-PE40-0013 REV A FIRST ANGLE PROJECTION		
SIZE:	DWG. NO:	OUTLINE REV.
A2	OL-75940,	CHART A
DO NOT SCALE DRAWING		
SCALE 1:1	SHEET 1 OF 1	