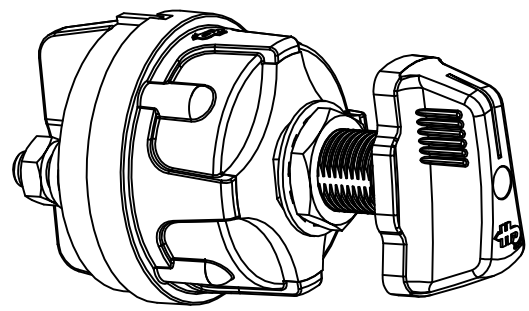
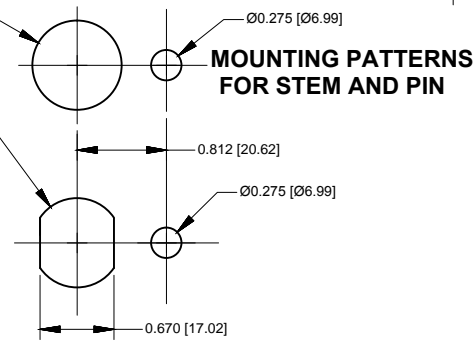


- NOTES:
1. ALL DIMENSIONS ARE REFERENCE ONLY
 2. ALL STEEL PARTS PLATED
 3. CONTACT SURFACES COPPER
 4. RECOMMENDED LOCK SHANK SIZE 5/16" (0.312[7.93]) DIA
 5. TESTED TO IP68
 6. RATINGS: CONTINUOUS DUTY:
12 Vdc: 300 AMPS; 24 Vdc: 250 AMPS; 36 Vdc: 200 AMPS
INTERMITTENT DUTY:
1000 AMPS FOR 90 SECONDS ON; 5 MINUTES OFF
2000 AMPS FOR 30 SECONDS ON; 5 MINUTES OFF
 7. CUSTOMER SUPPLIED TERMINALS SHOULD BE IN DIRECT CONTACT WITH BASE OF STUD
 8. STUD TORQUE 70-90 IN-LBS [7.9-10.1 N.m]
 9. MOUNTING STEM HEX NUT TORQUE 18 FT LBS [24.4 N.m]
 10. PANEL THICKNESS RANGE: 0.032-0.450 [0.81-11.43]
 11. PARTS SHIPPED BAGGED
 12. FOR ADDITIONAL KNOB RETENTION, ASSEMBLE SCREW TO SHAFT THEN INSERT CAP. ASSEMBLE SCREW TO SHAFT THEN INSERT CAP
 13. SWITCH MUST BE USE WITH EXTERNAL STOP OR BEZEL SUPPLIED BY CUSTOMER, FAILURE TO DO SO COULD RESULT IN BREAKAGE. CONSULT COLE HERSEE/ LITTELFUSE FOR INFORMATION
 14. ROTATION OF THE STUD WITHIN THE BASE UP TO 5° IS NORMAL AND DOES NOT EFFECT OPERATION OR SEALING



Revision Control Record				Rev.	Description of Change	ECN No.	Date	Tolerances	PROPRIETARY INFORMATION	Special Characteristics:	Cole Hersee Co.	
Rev.	Description of Change	ECN No.	Date	E	ADD CE MARK & NOTE	09525	09/30/13	Unless otherwise specifically noted, the following are default tolerances: 2-places +/- 0.02" 3-places +/- 0.005" Angular +/- 1° Metric: Shown in [] refers to equivalent English Dim Tol "REF." or an Asterisk (*) = Non-Tolerance Reference Dimension, shown for clarification purposes only. NOTE: All tolerances are Non-Cumulative.	This information contained herein, is proprietary to Cole Hersee Company and may not be disclosed, re-produced, or in any other way transferred or communicated to any other party without the express written consent of an authorized representative of Cole Hersee Company.	<input checked="" type="checkbox"/> Critical Characteristic, relating to Safety and/or Regulatory Compliance <input checked="" type="checkbox"/> Significant Characteristic relating to Process Control <input checked="" type="checkbox"/> Control Dimension relating to Form - Fit - Function as defined by Cole Hersee Company and/or the Customer	CH 20 Old Colony Ave., South Boston, MA. 02127 Phn: 617-268-2100 Web: www.colehersee.com	SW, ROT, MAST DISC Drawing / Part No.: 75920-03 Current Rev.: E
A	RELEASED DRAWING	11004	1/17/11									
B	CHANGED SCREWS, GASKET, O-RINGS	11268	08/02/11									
C	CHANGE TO IP 68	12252	08/09/12									
D	ADD NOTE	13132	05/02/13									