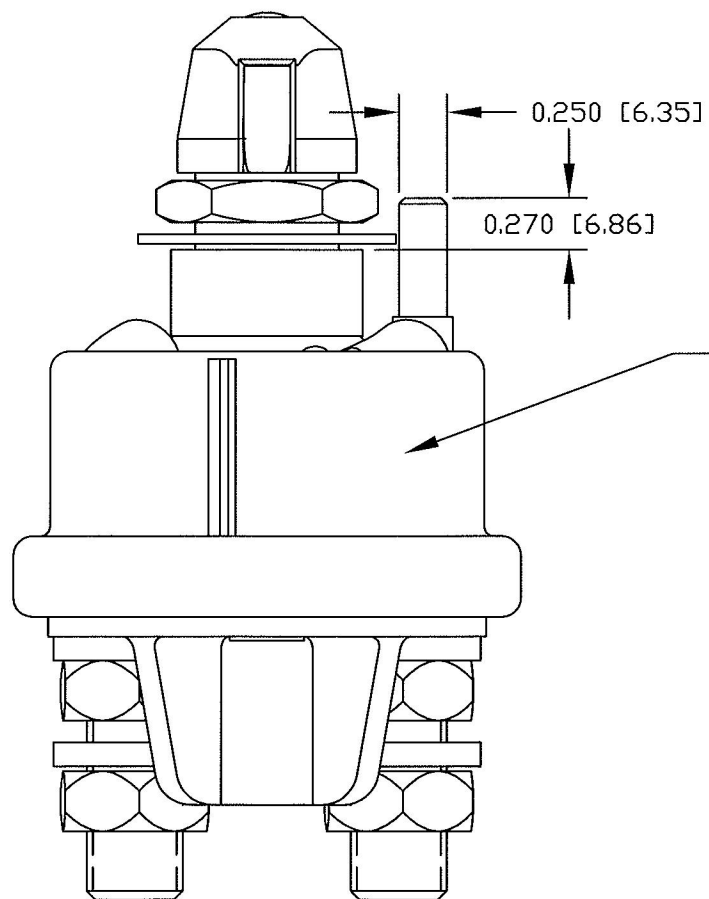
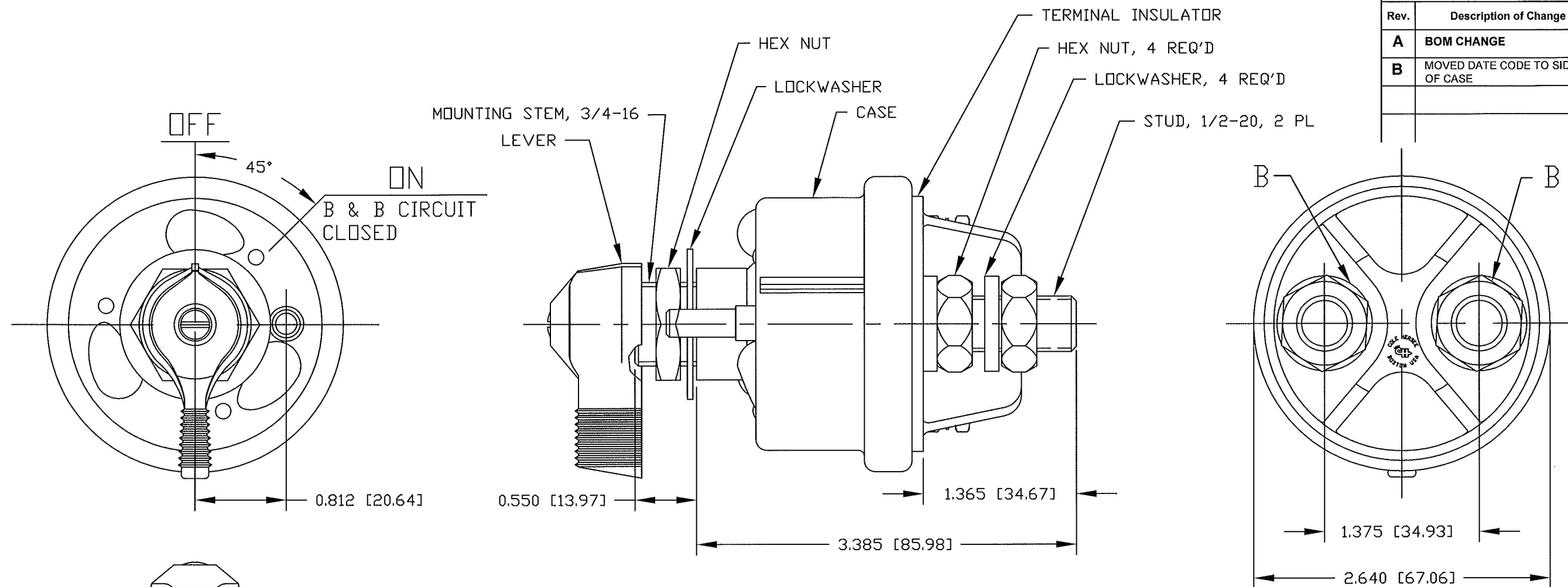


**Revision Control Record**

| Rev. | Description of Change           | ECN No. | Date     |
|------|---------------------------------|---------|----------|
| A    | BOM CHANGE                      | 06273   | 08/17/06 |
| B    | MOVED DATE CODE TO SIDE OF CASE | 10331   | 9/14/10  |



MARK PART NUMBER & DATE CODE ON THIS SURFACE

**NOTES:**

1. ALL STEEL PARTS PLATED
2. ALL DIMENSIONS REFERENCE ONLY
3. SEALS BETWEEN: SHAFT AND MOUNTING STEM, CASE AND TERMINAL INSULATOR, TERMINAL INSULATOR AND 1/2-20 STUDS
4. RATING: 6, 12, 24 AND 36 VOLTS DC  
"B" STUDS: INTERMITTENT DUTY: 2000 AMPS  
30 SECONDS "ON" 3 MINUTES "OFF"  
CONTINUOUS DUTY: 300 AMPS

**Tolerances** Unless otherwise specifically noted, the following are default tolerances;  
 \* 2-place Decimal Dimensions +/- .02"  
 \* 3-place Decimal Dimensions +/- .005"  
 \* Angular Dimensions +/- 1.0 Deg.  
 \* Metric: Refer to equivalent English Dimension Tolerance  
 >>> NOTE: All tolerances are Non-Cumulative. <<<

**Dimensional Units** All dimensions are expressed in inches except those shown in brackets (xxx) are expressed in millimeters

"REF." or an Asterisk (\*) = Non-Toleranced Reference Dimension, shown for clarification purposes only.

**PROPRIETARY INFORMATION** This Engineering Drawing, and the information contained herein, is proprietary to Cole Hersee Company and may not be disclosed, re-produced, or in any other way transferred or communicated to any other party without the express written consent of an authorized representative of Cole Hersee Company.

**DESIGN CONTROL** It is the responsibility of the individual using / referencing this drawing to assure that the noted design revision level agrees with the revision level of the Controlled Document (Master Drawing). This is a NON-CONTROLLED DOCUMENT unless otherwise specifically noted.

DO NOT SCALE - Dimensional variation may occur during printing / reproduction.

**Special Characteristics:**

- Critical Characteristic, relating to Safety and/or Regulatory Compliance
  - Significant Characteristic relating to Process Control (SPC)
  - Control Dimension relating to Form - Fit - Function as defined by Cole Hersee Company and/or the Customer
- (Note that the identification of any Characteristics as being "Special" does not alter the requirement that ALL specified dimensions & tolerances must be met.)

**Cole Hersee Co.**  
 20 Old Colony Ave., South Boston, MA, 02127  
 Phn: 617-268-2100 Web: www.colehersee.com

**Description:**  
**MASTER DISCONNECT SW.**

**Drawing / Part No.:** 75908 **B**

Used On or Ref.: EX23570E

Scale: 1:1

Drawn By: MJT

Date Drawn: 05/08/95

Responsible Engineer: NA

Pg. 1 of 1