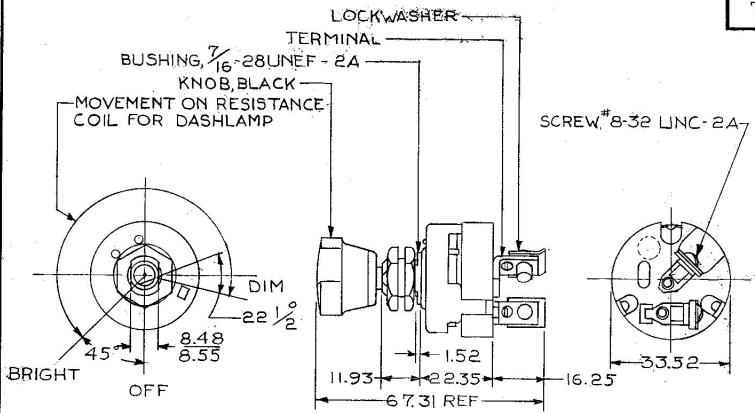


MM.-IN.  
 .25 - .010  
 1.52 - .060  
 8.48 - .334  
 8.55 - .337  
 11.93 - .470  
 16.25 - .640  
 22.35 - .880  
 33.52 - 1.320  
 67.31 - 2.650

7493



|          |               |
|----------|---------------|
| 7493-03  | 5.0 OHMS ±10% |
| 7493-02  | 2.0 OHMS ±10% |
| 7493-01  | 3.0 OHMS ±10% |
| 7493     | 8.0 OHMS ±10% |
| PART NO. | RES COIL      |

(H)

Confidential Property of Cole Hersee

METRIC

DO NOT SCALE

| LET. | WAS | DATE | BY | LET | WAS | DATE | BY | MATERIAL       | DRAWN  | CHECKED | APPROVED | SCALE | DATE DRAWN      |
|------|-----|------|----|-----|-----|------|----|----------------|--|---------|----------|-------|-----------------|
|      |     |      |    |     |     |      |    | #              | EA   | 5-26-80 |          | 1:1   | 12-3-57         |
|      |     |      |    |     |     |      |    | FINISH         |  |         |          |       | DATE BLUEPRINT  |
|      |     |      |    |     |     |      |    | TOLERANCES     | Cole Hersee Co.<br>BUILDING VERMONT DIVISION, U.S.A. 05401 |         |          |       |                 |
|      |     |      |    |     |     |      |    | DECIMAL ± .010 |  |         |          |       | RHEOSTAT SWITCH |
|      |     |      |    |     |     |      |    | METRIC ± .25   |  |         |          |       |                 |