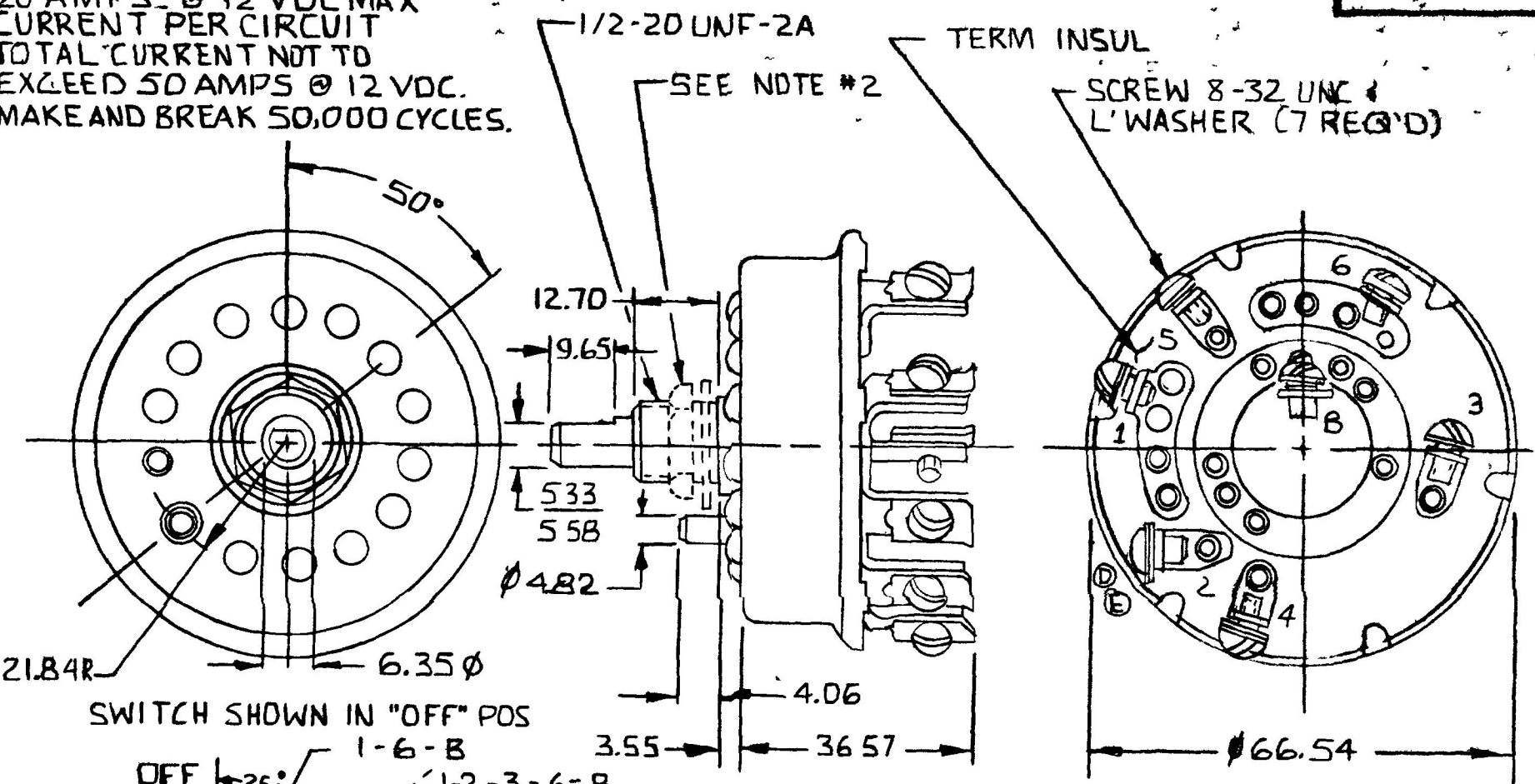


MM	IN
0.25	.010
4.06	.160
4.82	.190
5.33	.210
5.58	.220
6.35	.250
9.65	.380
12.35	.500
21.84	.860
36.57	1.440
66.57	2.620
3.55	.140

72077

RATING:
 20 AMPS @ 12 VDC MAX
 CURRENT PER CIRCUIT
 TOTAL CURRENT NOT TO
 EXCEED 50 AMPS @ 12 VDC.
 MAKE AND BREAK 50,000 CYCLES.



- NOTES:
 1 ALL STEEL PARTS PLATED
 2. HEX NUT & L' WASHER SHIPPED LOOSE
 3 SILVER CONTACTS SURFACES
 4 MELAMINE LINER

DETAIL OF SWITCH OPERATION

METRIC

DO NOT SCALE

LET	WAS	DATE	BY	LET	WAS	DATE	BY	MATERIAL	DRAWN	CHECKED	APPROVED	SCALE	DATE DRAWN
								—H—	T.C.			1:1	4-25-74
								FINISH					DATE BLUEPRINT
				E	ECN #99327	7/28/99	VL	—H—					
				D	ECN #99293	7/21/99	JS	TOLERANCES					
				C	REDRAWN	6-16-93	YAW	DECIMAL ± .25 METRIC ± .25	TRACTOR COMBINATION SWITCH			72077	

EX-16938