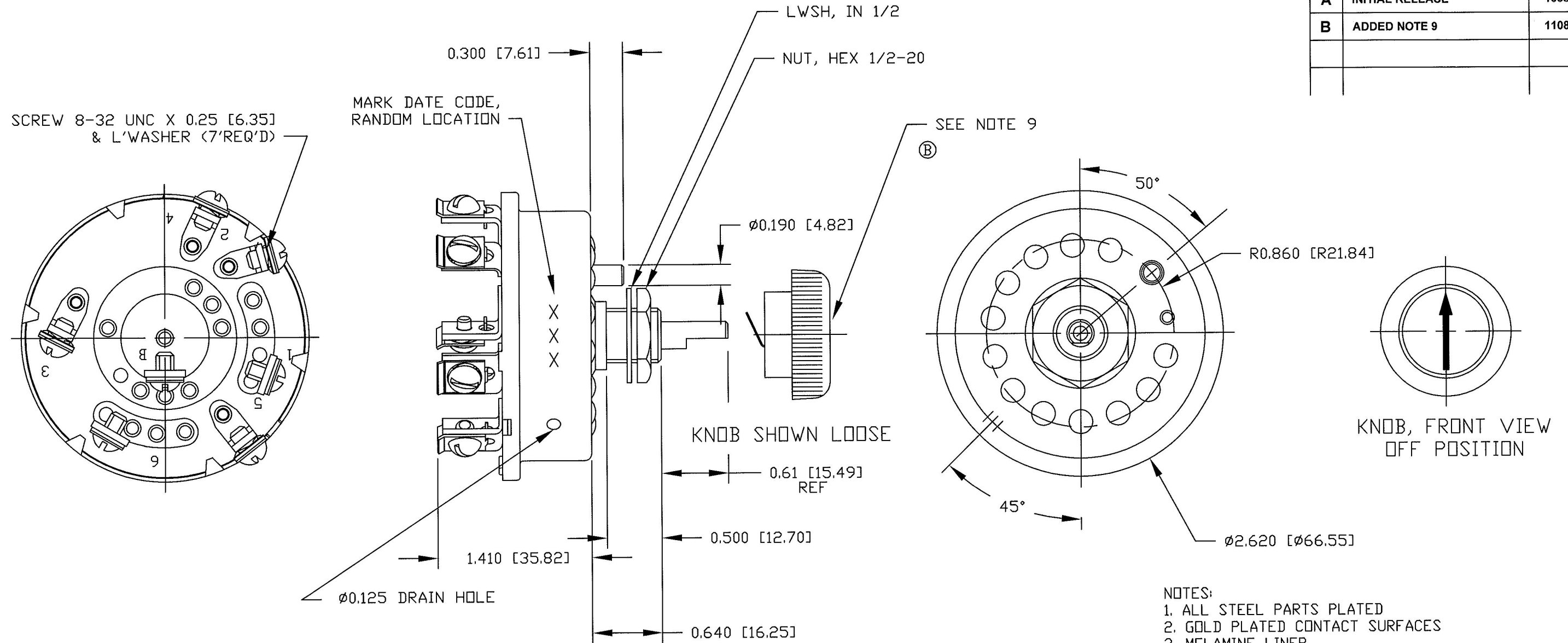
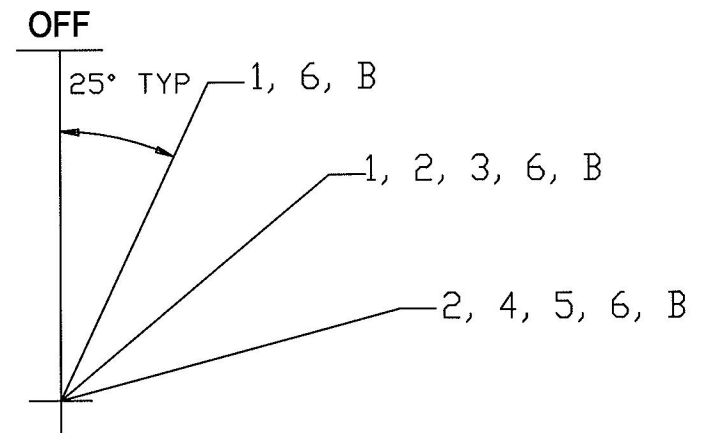


Revision Control Record

Rev.	Description of Change	ECN No.	Date
A	INITIAL RELEASE	10384	11/17/10
B	ADDED NOTE 9	11089	03/24/11



- NOTES:
1. ALL STEEL PARTS PLATED
 2. GOLD PLATED CONTACT SURFACES
 3. MELAMINE LINER
 4. O-RING SEAL IN BUSHING
 5. ALL DIMENSIONS REFERENCE
 6. ALL HARDWARE ASSEMBLED
 7. RATING: 20 AMP @ 12VDC MAX CURRENT PER CRK'T; TOTAL CURRENT NOT TO EXCEED 50 AMPS @ 12 VDC MAKE & BREAK 50,000 CYCLES
 8. SWITCH TORQUE TO BE 5 ±0.5 IN-LBS
 9. VERIFY CLIP 98232 NOT DEFORMED ONCE INSTALLED ALL THE WAY IN. PULL THE KNOB TO VERIFY THAT LOCKING CLIP IS WORKING. KNOB MAY BE TAKED OFF ONLY IF THE LOCKING CLIP PULLED BACK GENTLY.



SWITCH OPERATION

Tolerances Unless otherwise specifically noted, the following are default tolerances:
 * 2-place Decimal Dimensions +/- .02"
 * 3-place Decimal Dimensions +/- .005"
 * Angular Dimensions +/- 1.0 Deg.
 * Metric: Refer to equivalent English Dimension Tolerance
 >>> NOTE: All tolerances are Non-Cumulative. <<<

Dimensional Units All dimensions are expressed in inches except those shown in brackets (xxx) are expressed in millimeters

"REF." or an Asterisk (*) = Non-Toleranced Reference Dimension, shown for clarification purposes only.

Used On: EX28273 / or Ref.: 72077-08 Scale: 1:1

PROPRIETARY INFORMATION This Engineering Drawing, and the information contained herein, is proprietary to Cole Hersee Company and may not be disclosed, re-produced, or in any other way transferred or communicated to any other party without the express written consent of an authorized representative of Cole Hersee Company.

DESIGN CONTROL It is the responsibility of the individual using / referencing this drawing to assure that the noted design revision level agrees with the revision level of the Controlled Document (Master Drawing). This is a NON-CONTROLLED DOCUMENT unless otherwise specifically noted.

DO NOT SCALE - Dimensional variation may occur during printing / reproduction.

Drawn By: CN Date Drawn: 06/29/10

Special Characteristics:

- CC Critical Characteristic, relating to Safety and/or Regulatory Compliance
- X Significant Characteristic relating to Process Control (SPC)
- KC Control Dimension relating to Form - Fit - Function as defined by Cole Hersee Company and/or the Customer

(Note that the identification of any Characteristics as being "Special" does not alter the requirement that ALL specified dimensions & tolerances must be met.)

Responsible Engineer: CN Pg. 1 of 1

Cole Hersee Co.
 20 Old Colony Ave., South Boston, MA, 02127
 Phn: 617-268-2100 Web: www.colehersee.com

Description: **SW, ROT, 4 POS**

Drawing / Part No.: **72077-09** **B**