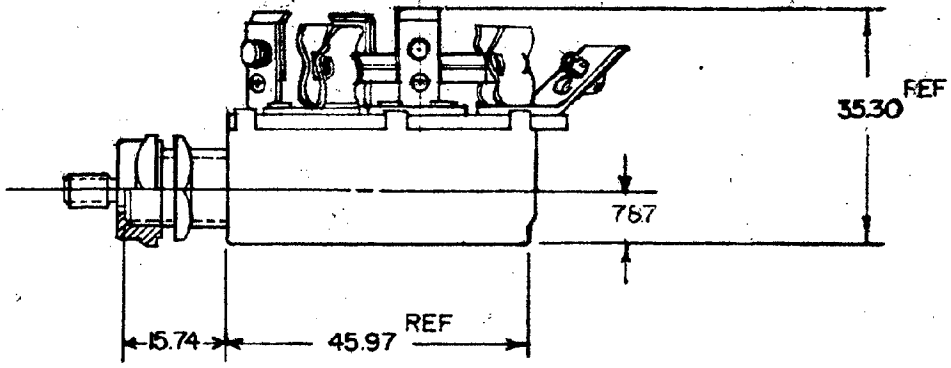
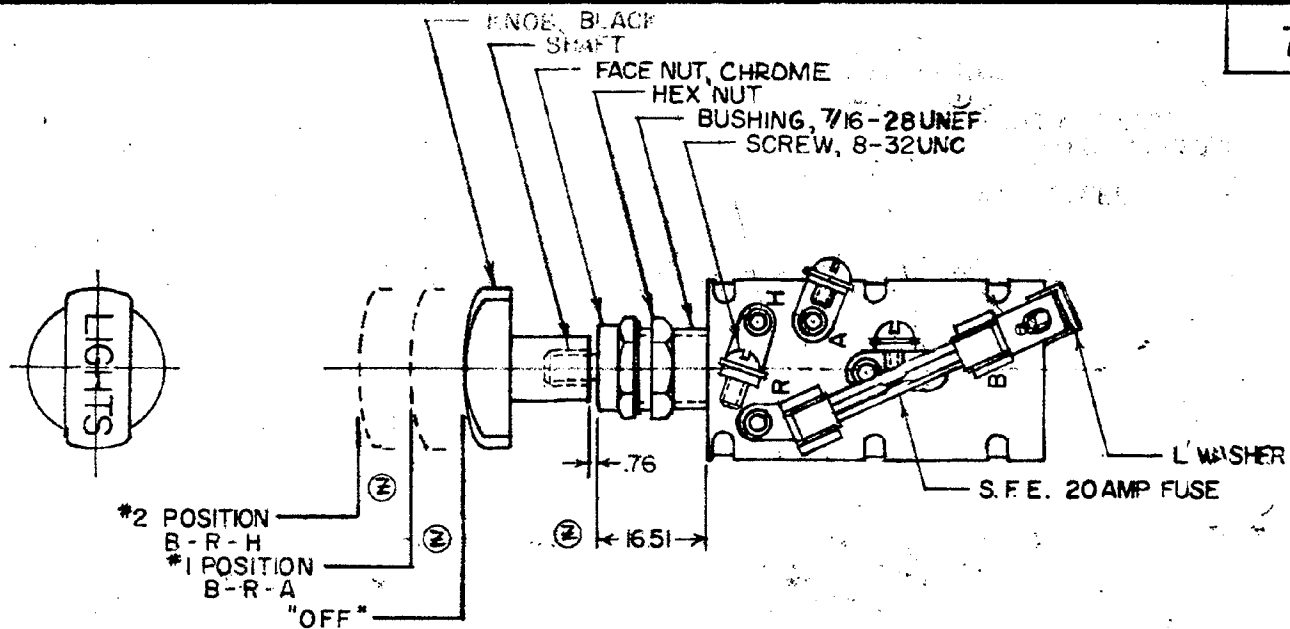



7127



NOTE:
ALL STEEL PARTS PLATED

METRIC

DO NOT SCALE

LET	WAS	DATE	BY	LET	WAS	DATE	BY	MATERIAL	DRAWN	CHECKED	APPR'D.	SCALE	DATE DRAWN
								— # —	RK	11-20-78		1:1	3-19-51
				AA	BOM/ECN 13158	6/17/13	CM	FINISH	 20 OLD COLONY AVENUE SOUTH BOSTON, MA. U.S.A. 02117				DATE BLUEPRINT
				Z	REVISED SHAFT	2/3/2	2-25-81	— # —					
				Y	REV/20475	11-3-80							
				X	REDRAWN	11-6-78							
								TOLERANCES FRACTIONAL ± DECIMAL ±.25	HEADLAMP SWITCH				7127

CH-188 (4-78)