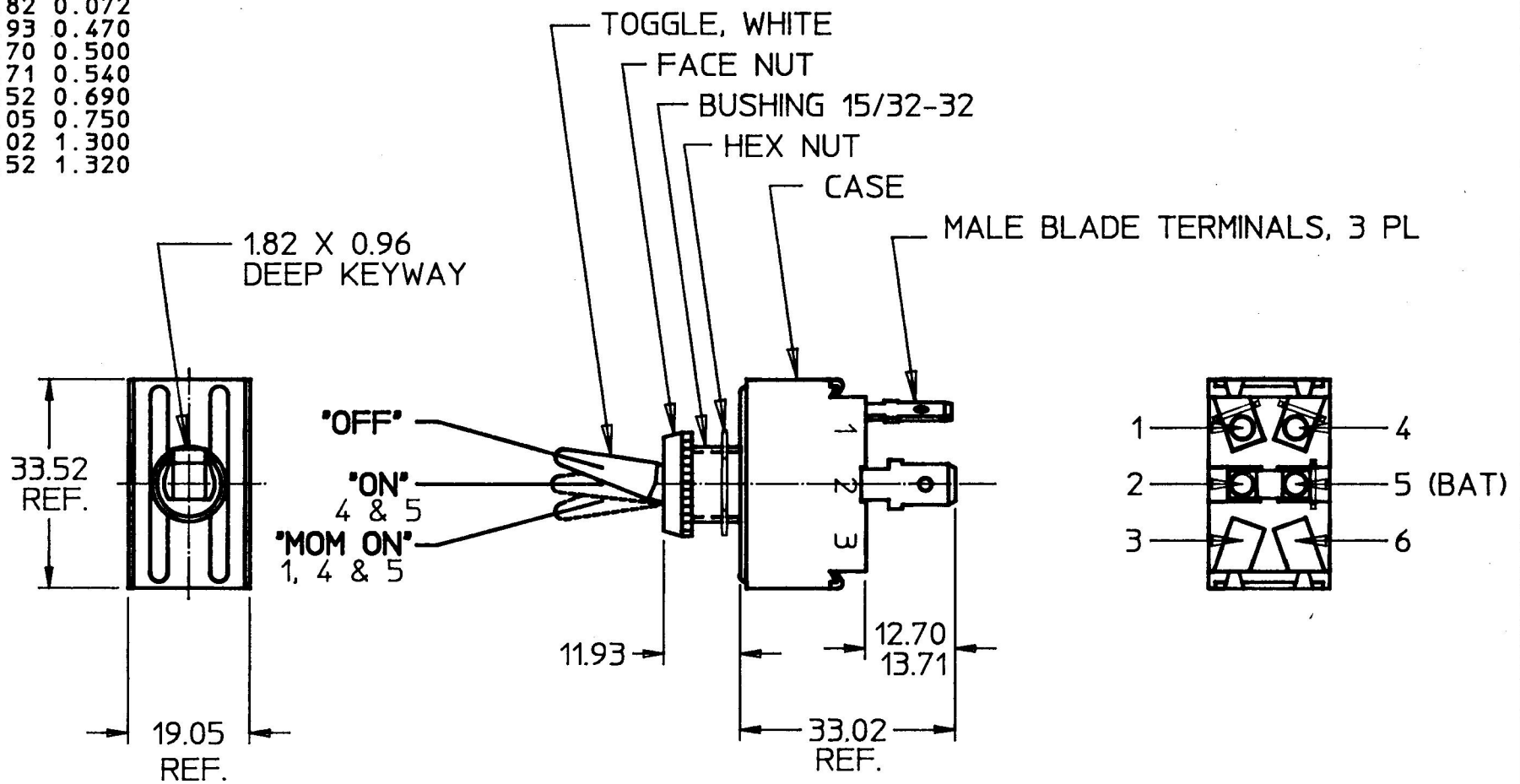


MM	IN
0.96	0.038
1.82	0.072
11.93	0.470
12.70	0.500
13.71	0.540
17.52	0.690
19.05	0.750
33.02	1.300
33.52	1.320



NOTES:
1. 25 AMPS @ 12VDC

METRIC

**DO NOT SCALE
CAD GENERATED**

LET.	WAS	DATE	BY	LET.	WAS	DATE	BY	MATERIAL	DRAWN	CHK	APVD	SCALE		DATE DRAWN
									LIZ	<i>[Signature]</i>		1:1	EX23222	12/16/88
								FINISH	 COLE HERSEE CO. <small>70 OLD COLONY AVENUE, SOUTH BOSTON, MA. U.S.A. 02127</small>					DATE BLUEPRINTED
								TOLERANCES DECIMAL ± ANGLE ±						SWITCH TOGGLE S.P. 3 POS.
					ISSUED	12-19-88	AF							