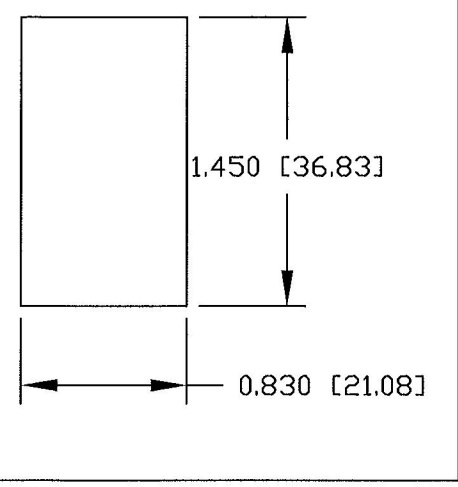


MOUNTING HOLE DETAIL



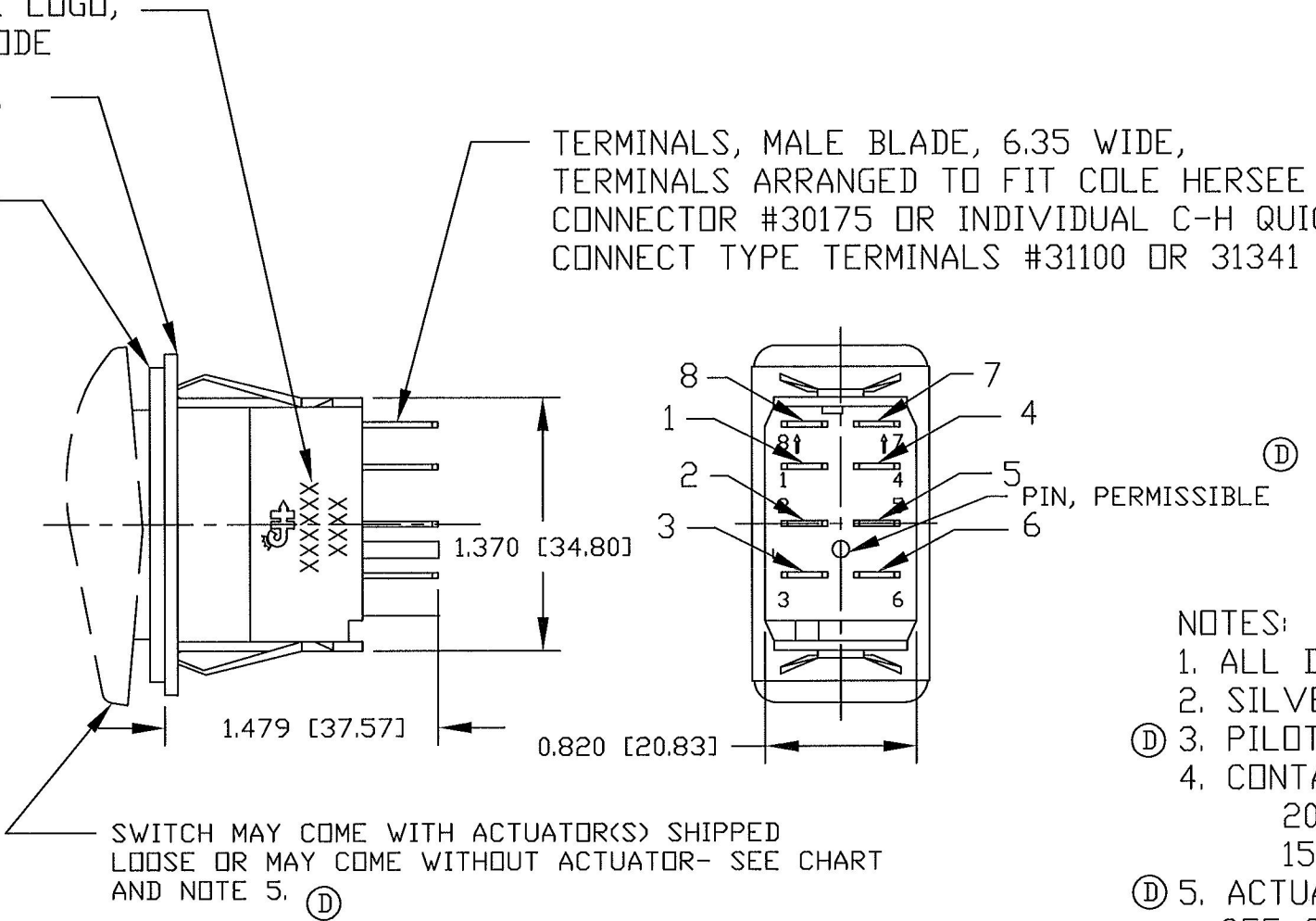
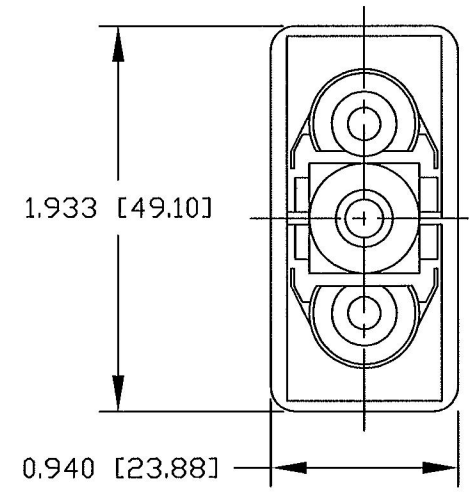
<u>Revision Control Record</u>			
Rev.	Description of Change	ECN No.	Date
D	ADDED -08 TO -29 & INDEX PIN	06004	01/06/06
E	ADDED -30 TO -34	11009	11/18/10

INK STAMP COLE HERSEE LOGO,
PART NUMBER & DATE CODE

PANEL SEAL OPTION.
SEE CHART

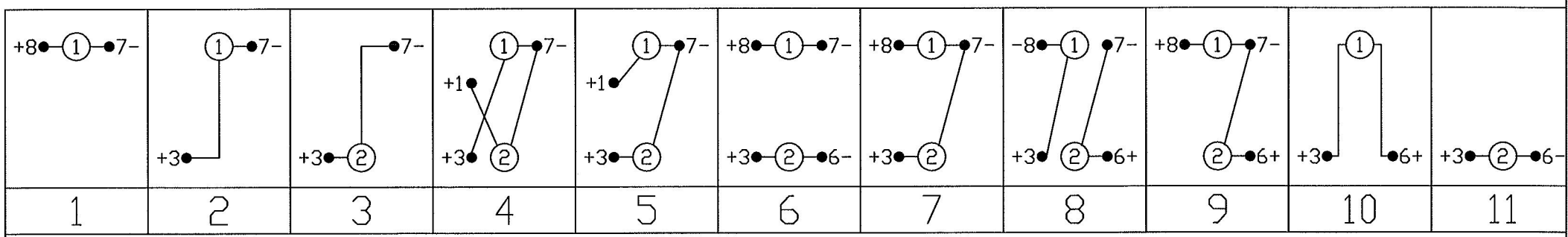
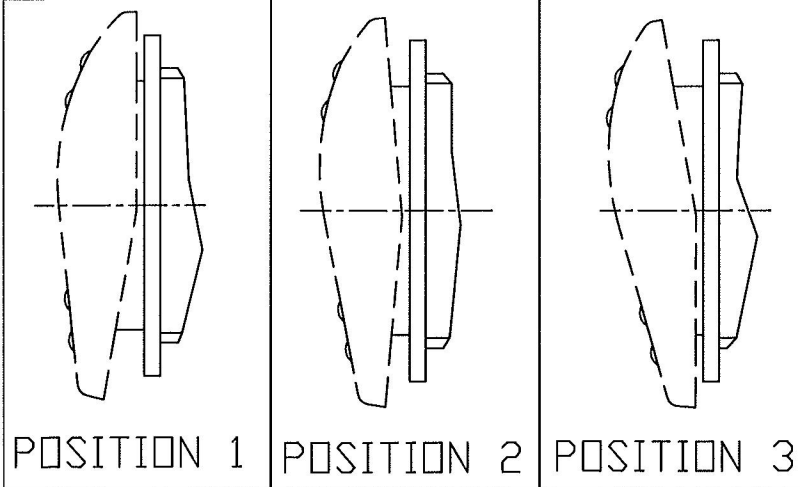
BEZEL, PLASTIC, BLACK

TERMINALS, MALE BLADE, 6.35 WIDE,
TERMINALS ARRANGED TO FIT COLE HERSEE
CONNECTOR #30175 OR INDIVIDUAL C-H QUICK
CONNECT TYPE TERMINALS #31100 OR 31341



- NOTES:
- ALL DIMENSIONS ARE REFERENCE ONLY
 - SILVER CONTACT SURFACES
 - PIN, PERMISSIBLE
 - CONTACT RATING:
20 AMPS @ 12V DC
15 AMPS @ 24V DC
 - ACTUATOR MAY OR MAY NOT BE SUPPLIED. SEE CHART.

ROCKER POSITIONS



LAMP SCHEMATIC

Tolerances Unless otherwise specifically noted, the following are default tolerances:
 * 2-place Decimal Dimensions +/- .02"
 * 3-place Decimal Dimensions +/- .005"
 * Angular Dimensions +/- 1.0 Deg.
 * Metric: Refer to equivalent English Dimension Tolerance
 >>> NOTE: All tolerances are Non-Cumulative. <<<

Dimensional Units All dimensions are expressed in inches except those shown in brackets (xxx) are expressed in millimeters

"REF." or an Asterisk (*) = Non-Toleranced Reference Dimension, shown for clarification purposes only.

Used On or Ref.: **EX26511** Scale: **1:1**

PROPRIETARY INFORMATION This Engineering Drawing, and the information contained herein, is proprietary to Cole Hersee Company and may not be disclosed, re-produced, or in any other way transferred or communicated to any other party without the express written consent of an authorized representative of Cole Hersee Company.

DESIGN CONTROL It is the responsibility of the individual using / referencing this drawing to assure that the noted design revision level agrees with the revision level of the Controlled Document (Master Drawing). This is a NON-CONTROLLED DOCUMENT unless otherwise specifically noted.

DO NOT SCALE - Dimensional variation may occur during printing / reproduction.

Drawn By: **JMP** Date Drawn: **01/10/97**

Special Characteristics:

- CC Critical Characteristic, relating to Safety and/or Regulatory Compliance
- X Significant Characteristic relating to Process Control (SPC)
- KC Control Dimension relating to Form - Fit - Function as defined by Cole Hersee Company and/or the Customer

(Note that the Identification of any Characteristics as being "Special" does not alter the requirement that ALL specified dimensions & tolerances must be met.)

Responsible Engineer: **G.AUGUSTE** Pg. 1 of 5

Cole Hersee Co.
 20 Old Colony Ave., South Boston, MA, 02127
 Phn: 617-268-2100 Web: www.colehersee.com

Description:
ROCKER SWITCH

Drawing / Part No.: **58332 CHART** **E**