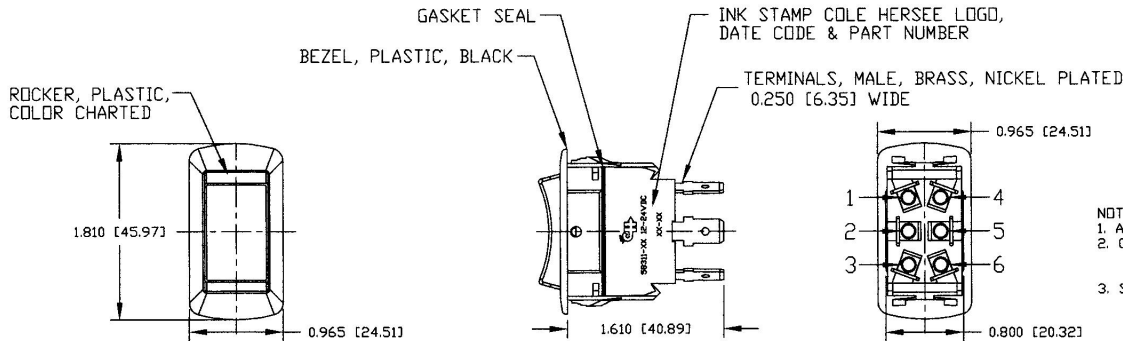


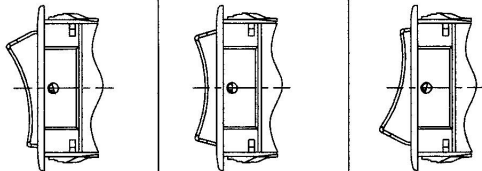
Revision Control Record

Rev.	Description of Change	ECH No.	Date
A	DRAWINGS RELEASE	04325	09/08/04



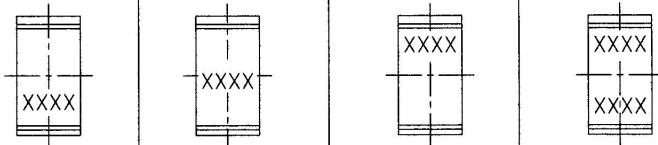
- NOTES:
1. ALL DIMENSIONS ARE REFERENCE ONLY
 2. CONTACTS RATING
25 AMPS @ 12V DC
15 AMPS @ 24V DC
 3. SWITCHES ARE SEALED FOR WEATHER RESISTANCE

ROCKER POSITIONS



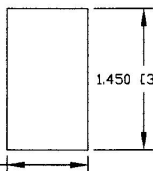
POSITION A POSITION B POSITION C

IMPRINTING LOCATION



LOCATION D LOCATION E LOCATION F LOCATION G

MOUNTING HOLE DETAIL



0.830 [21.08]

ROCKER COLORS CHARTED

IMPRINT COLORS WHITE

Tolerances: Unless otherwise specifically noted, the following are critical tolerances:
 * Unless Decimal Dimensions $\pm .005"$
 * Unless Decimal Dimensions $\pm .002"$
 * Angular Dimensions ± 1.0 Deg.
 * Metric: Refer to equivalent English Dimension Tolerance
 *** NOTE: All tolerances are Non-Cumulative. ***

Dimensional Limits: All dimensions are expressed in inches except those shown in brackets (xxx) are expressed in millimeters.

FREE - (or an Alternative) - Non-Tolerance Reference Dimension: Dimension shown for identification purposes only.

PROPRIETARY INFORMATION: This Engineering Drawing, and the information contained herein, is proprietary to Cole Hersee Company and may not be disclosed, reproduced, or in any other way transmitted or disseminated to any other party without the express written consent of an authorized representative of Cole Hersee Company.

DESIGN CONTROL: It is the responsibility of the individual user/manufacturer to ensure that the noted design revision (and agree with the revision level of the Contract Document (Master Drawing). This is a NON-CONTROLLED DOCUMENT unless otherwise specifically noted.
 DO NOT SCALE - Dimensional values may occur during printing/ reproduction.

Key for Special Characteristics:

- ⊠ Critical Characteristic, relating to Safety and/or Regulatory Compliance
- ⊠ Significant Characteristic relating to Process Control (SPC)
- ⊠ Control Dimension relating to Form - Fit - Function as defined by Cole Hersee Company and/or the Customer

(Note that the identification of any Characteristic as being "Special" does not alter the requirement that ALL specified dimensions & tolerances must be met.)

Cole Hersee Co.
 20 Old Colony Ave., South Boston, MA, 02127
 Phone 617-268-2100 Web: www.colehersee.com

DESCRIPTION:
ROCKER SWITCH

Drawing/ Part No.: **58311 CHART** Current Rev. **A**