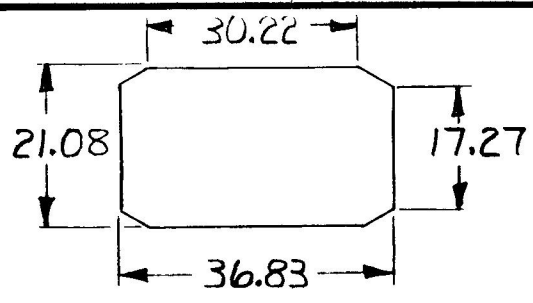
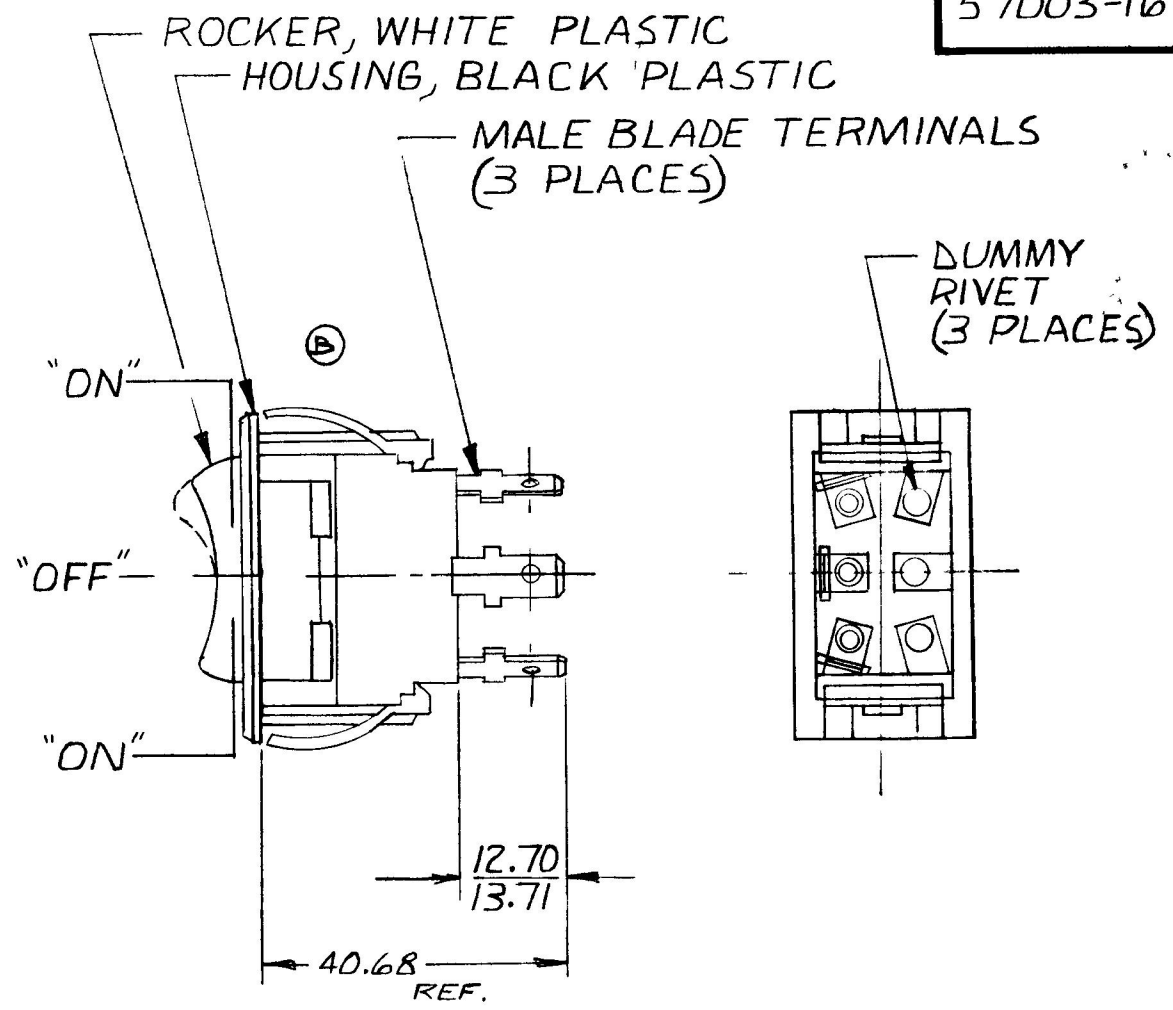
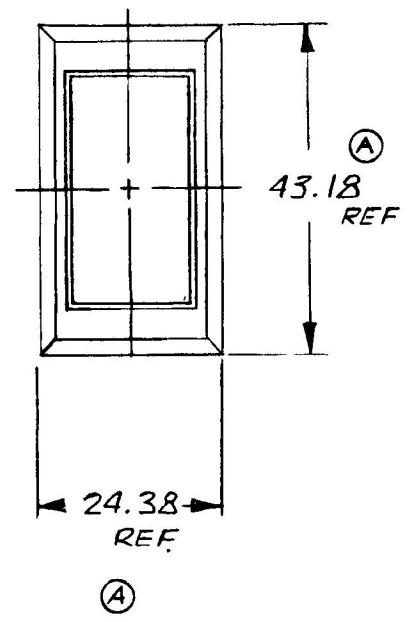


MM IN  
 .25 .010  
 12.70 .500  
 13.71 .540  
 17.27 .680  
 21.08 .830  
 24.38 .960  
 30.22 1.190  
 36.83 1.450  
 40.68 1.601  
 43.18 1.700

57003-1b




MTG. HOLE DETAIL



- NOTE.
1. WEATHERPROOF
  2. SILVER CONTACTS
  3. HEAVY DUTY
  4. 25 AMPS @ 12V DC LAMP LOAD

METRIC

DO NOT SCALE

LET	WAS	DATE	BY	LET	WAS	DATE	BY	MATERIAL	DRAWN	CHECKED	APPRV D	SCALE	57003-01 WEATHERPROOF	DATE DRAWN
								—//—	(R)	TY		1:1		7-31-80
								FINISH						DATE BLUEPRINT
				B	ECN 23335	12-11-86	ZU	—//—	 20 OLD COLONY AVENUE SOUTH BOSTON MA U.S.A. 02127					
				A	ISSUED REVISED	10-7-81 4-21-81	RJR EA	TOLERANCES						S.P.D.T. ROCKER SWITCH
								DECIMAL ±						
								METRIC ± .25						

CH-188(4-78)