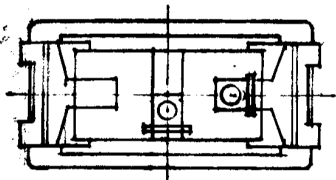
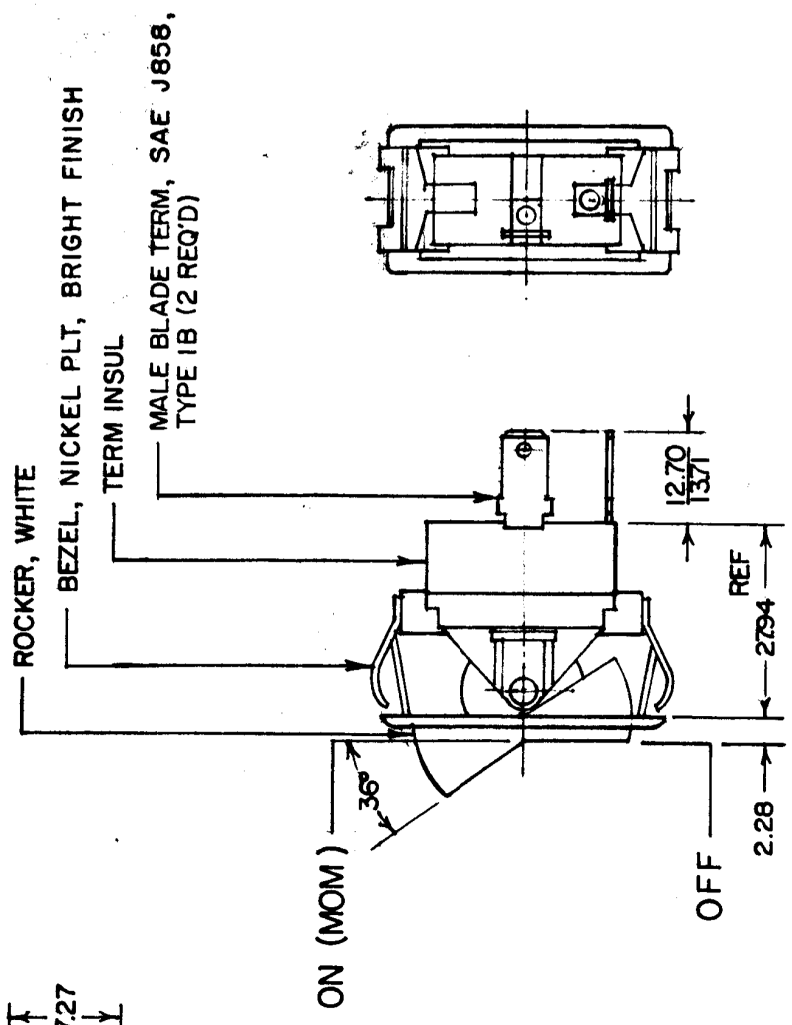
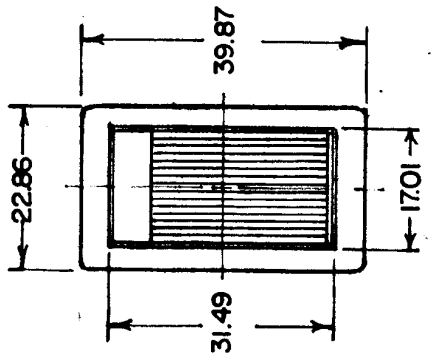
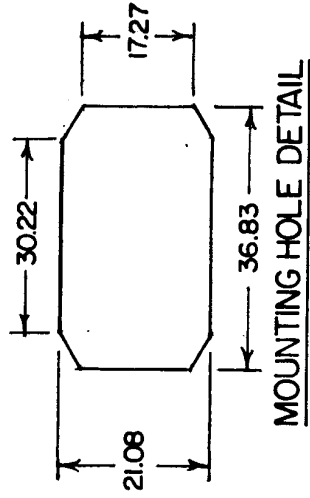


MM IN  
 .25  
 .315  
 .38  
 .445  
 .51  
 .575  
 .64  
 .705  
 .77  
 .835  
 .90  
 .965  
 1.03  
 1.095  
 1.16  
 1.225  
 1.29  
 1.355  
 1.42  
 1.485

57001-01  
 57001-05



METRIC

57001-05 SAME AS 57001-01, EXCEPT  
 BEZEL, NICKEL PLATE, DULL FINISH

- NOTE:  
 1. HEAVY DUTY  
 2. SILVER CONTACTS  
 3. 25 AMPS AT 12 VDC LAMP LOAD

LET.	WAS	DATE	BY LET	WAS	DATE	BY	MATERIAL	DRAWN	CHECKED	APPR'D	SCALE	57001 W/NARROW BEZEL REPLACING BRACKET	DATE DRAWN
							FINISH	CF	8/26/80		1:1		9-25-67
 <b>Cohle Hersee Co.</b> <small>20 OLD COLONY AVENUE SOUTH BOSTON, MA, U.S.A. 01177</small>													
SP - ST <b>ROCKER SWITCH</b>												57001-01 57001-05	
					8-25-80		TOLERANCES DECIMAL ± METRIC ±.25					DATE BLUEPRINT	

CH-188(4-78)