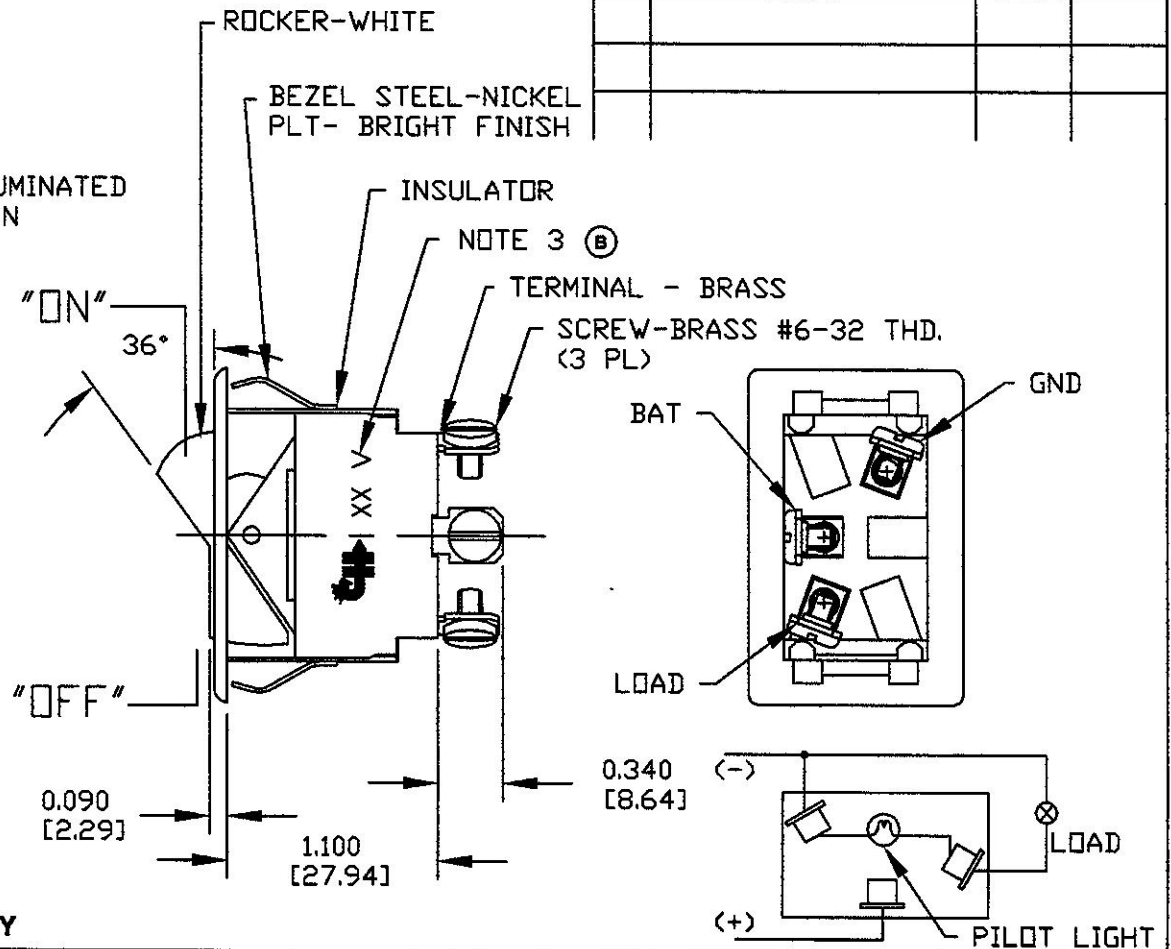
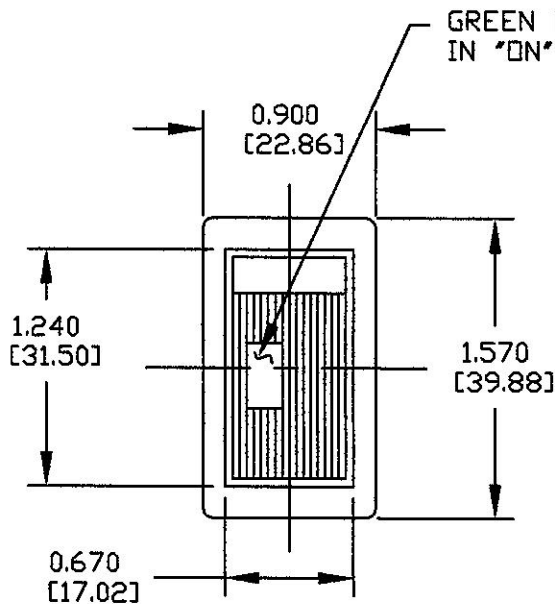
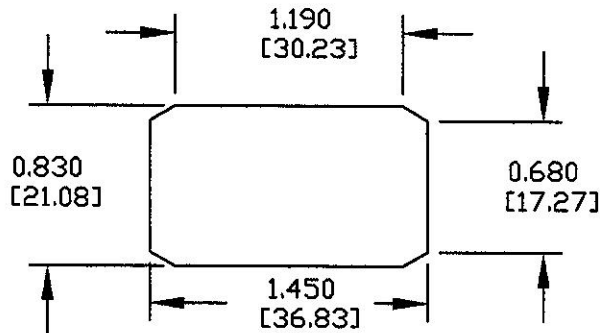


**Revision Control Record**

Rev.	Description of Change	ECN No.	Date
B	ADD CH LOGO	07303	08/24/07



- NOTES:**
1. SILVER CONTACT RIVETS AND SILVER CONTACT PAD
  2. 25 AMPS @ 12 VDC LAMP LOAD
  3. IMPRINT CH LOGO & 12V (B)

**HEAVY DUTY**

**Tolerances** Unless otherwise specifically noted, the following are default tolerances:

- 2-place Decimal Dimensions  $\pm .02"$
  - 3-place Decimal Dimensions  $\pm .005"$
  - Angular Dimensions  $\pm 1.0$  Deg.
  - Metric: Refer to equivalent English Dimension Tolerance
- >>> NOTE: All tolerances are Non-Cumulative. <<<

**Dimensional Units** All dimensions are expressed in inches except those shown in brackets (xxx) are expressed in millimeters

"NRF" or an Astedek (A) = Non-Toleranced Reference Dimension, shown for clarification purposes only.

**PROPRIETARY INFORMATION** This Engineering Drawing, and the information contained herein, is proprietary to Cole Hersee Company and may not be disclosed, re-produced, or in any other way transferred or communicated to any other party without the express written consent of an authorized representative of Cole Hersee Company.

**DESIGN CONTROL** It is the responsibility of the individual using / referencing this drawing to ensure that the noted design revision level agrees with the revision level of the Controlled Document (Master Drawing). This is a NON-CONTROLLED DOCUMENT unless otherwise specifically noted.

**DO NOT SCALE** - Dimensional variation may occur during printing / reproduction.

**Special Characteristics:**

- Critical Characteristic, relating to Safety and/or Regulatory Compliance
- Significant Characteristic relating to Process Control (SPC)
- Key Characteristic relating to Form - Fit - Function as defined by Cole Hersee Company and/or the Customer

(Note that the identification of any Characteristic as being "Special" does not alter the requirement that ALL specified dimensions & tolerances must be met.)

**Cole Hersee Co.**  
 20 Old Colony Ave., South Boston, MA, 02127  
 Phn: 617-268-2100 Web: www.colehersee.com

**Description:**  
**SPST, ROCKER, PILOT LIGHT**

**Drawing / Part No. 56300-10**

**Current Rev. B**

Used On or Ref.: **56300**

Scale: **1:1**

Drawn By: **SB**

Date Drawn: **03/25/74**

Responsible Engineer:

Pg. 1 of 1