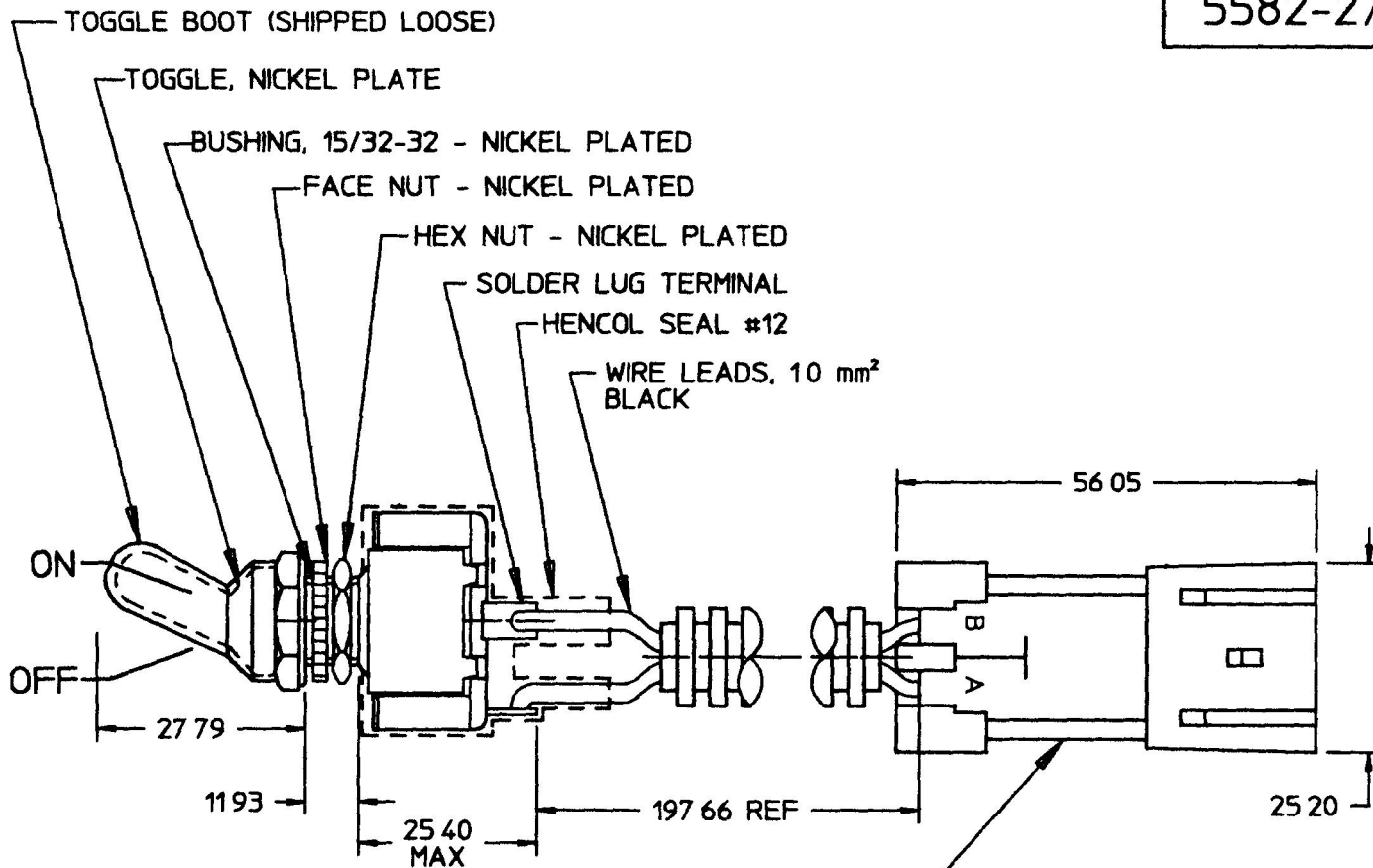
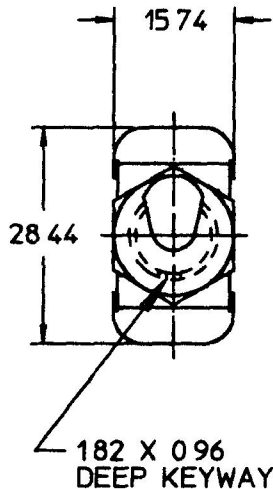


5582-27

MM	IN
0 96	0 038
1 82	0 072
11 93	0 470
15 74	0 620
25 20	0 992
25 40	1 000
27 79	1 094
28 44	1 120
56 05	2 207
197 66	7 782
1 0 mm ²	16 GA



PACKARD CONNECTOR #15300002/
CH 98699 CONNECTOR MATES
WITH PACKARD CONNECTOR
#15300027 OR EQUIVALENT
Ⓐ

- NOTES
- 1 SILVER CONTACTS
 - 2 O-RING SEAL IN BUSHING
 - 3 ALL STEEL PARTS PLATED
 - 4 ALL DIMENSIONS REFERENCE
 - 5 TOGGLE BOOT SHIPPED LOOSE

METRIC

DO NOT SCALE

LET	WAS	DATE	BY	LET	WAS	DATE	BY	MATERIAL	DRAWN	CHK	APVD	SCALE	DATE DRAWN
								N/A	MCB	ASB	N/A	1:1	01/11/99
								FINISH N/A	Cole Hersee Co. 20 OLD COLONY AVENUE, BOSTON, MA, U.S.A. 02127				DATE BLUEPRINTED
				A	ECN #995/5	10/27/99	JF	TOLERANCES DECIMAL ± N/A ANGLE ± N/A	SWITCH, TOGGLE SPST				5582-27
				--	ISSUED	03/01/99	GA						