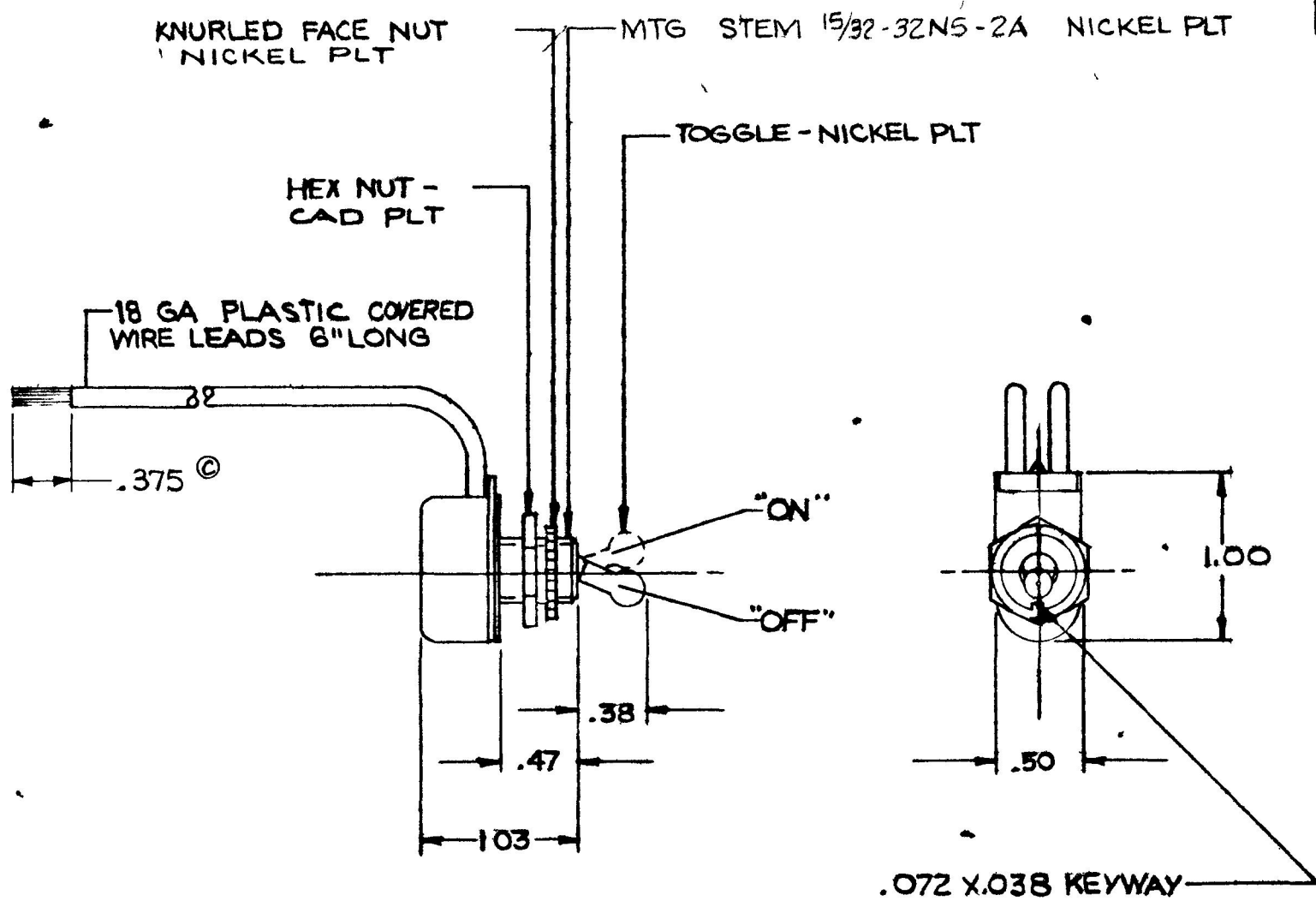


REF
M593

5568

COLE-HERSEE CO.



DO NOT SCALE

LET	WAS	DATE	BY	LET	WAS	DATE	BY	MATERIAL	DRAWN	CHECKED	APPR'D	SCALE	DATE DRAWN
									EA	TY 41277			11 29-66
								FINISH	COLE-HERSEE COMPANY BOSTON MASS 02127, U.S.A.				DATE BLUEPRINT
				C	ADDED DIM	5 14 87	LY	TOLERANCES	TOGGLE SWITCH				5568
				B	RE-DRAWN NO CHANGE	4 12 77	LY	FRACTIONAL ± DECIMAL ±.015					