

HOUSING: PLASTIC, BLACK

HEXNUT: 15/32-32

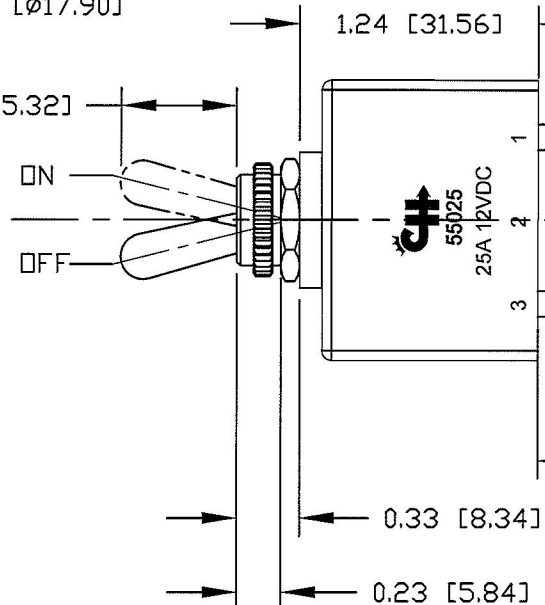
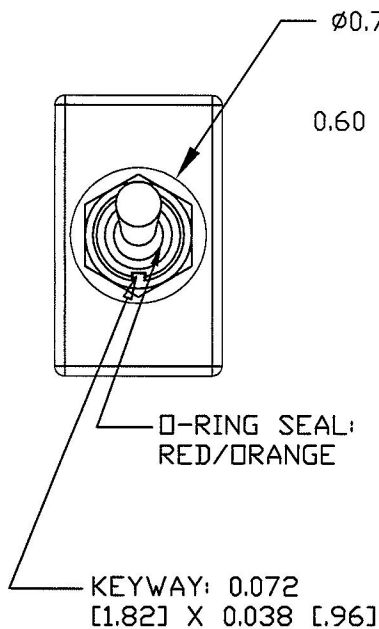
DATE CODE

∅0.472 [12.00]

xxxx
Made in China

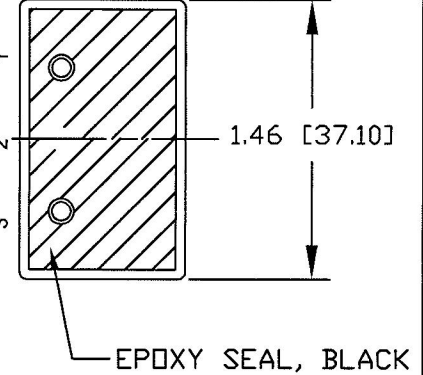
Revision Control Record

Rev.	Description of Change	ECN No.	Date
A	NEW DRAWING RELEASE	11429	12/7/11



WIRE: GXL, BLACK
14GA, [2mmf], 2PLS.

0.87 [22.00]



- NOTES:
- 1) SEALED TOGGLE SWITCH, SPST, SILVER CONTACTS.
 - 2) SEALING SPEC: IP67.
 - 3) ENVIRONMENTAL: -40 TO 85°C
 - 4) BUSHING, TOGGLE & HWARE: BRASS, NICKEL PLATED.
 - 5) ELECTRICAL RATING: 25A@12VDC; 15A@24VDC.
 - 6) ALL HARDWARE ASSEMBLED.

Tolerances Unless otherwise specifically noted, the following are default tolerances;

2-places **3-places** **Angular**
 +/- 0.02" +/- 0.005" +/- 1'

Metric: Shown in [] refers to equivalent English Dim Tol

"REF." or an Asterisk (*) = Non-Toleranced Reference Dimension, shown for clarification purposes only.

NOTE: All tolerances are Non-Cumulative.

PROPRIETARY INFORMATION
 This Engineering Drawing, and the information contained herein, is proprietary to Cole Hersee Company and may not be disclosed, re-produced, or in any other way transferred or communicated to any other party without the express written consent of an authorized representative of Cole Hersee Company.

Special Characteristics:

Critical Characteristic, relating to Safety and/or Regulatory Compliance

Significant Characteristic relating to Process Control

Control Dimension relating to Form - Fit - Function as defined by Cole Hersee Company and/or the Customer

Cole Hersee Co.
 20 Old Colony Ave., South Boston, MA, 02127
 Phn: 617-268-2100 Web: www.colehersee.com

Description: **SW. TOGGLE, ON-OFF**

Drawing / Part No.: **55025** **Current Rev.:** **A**