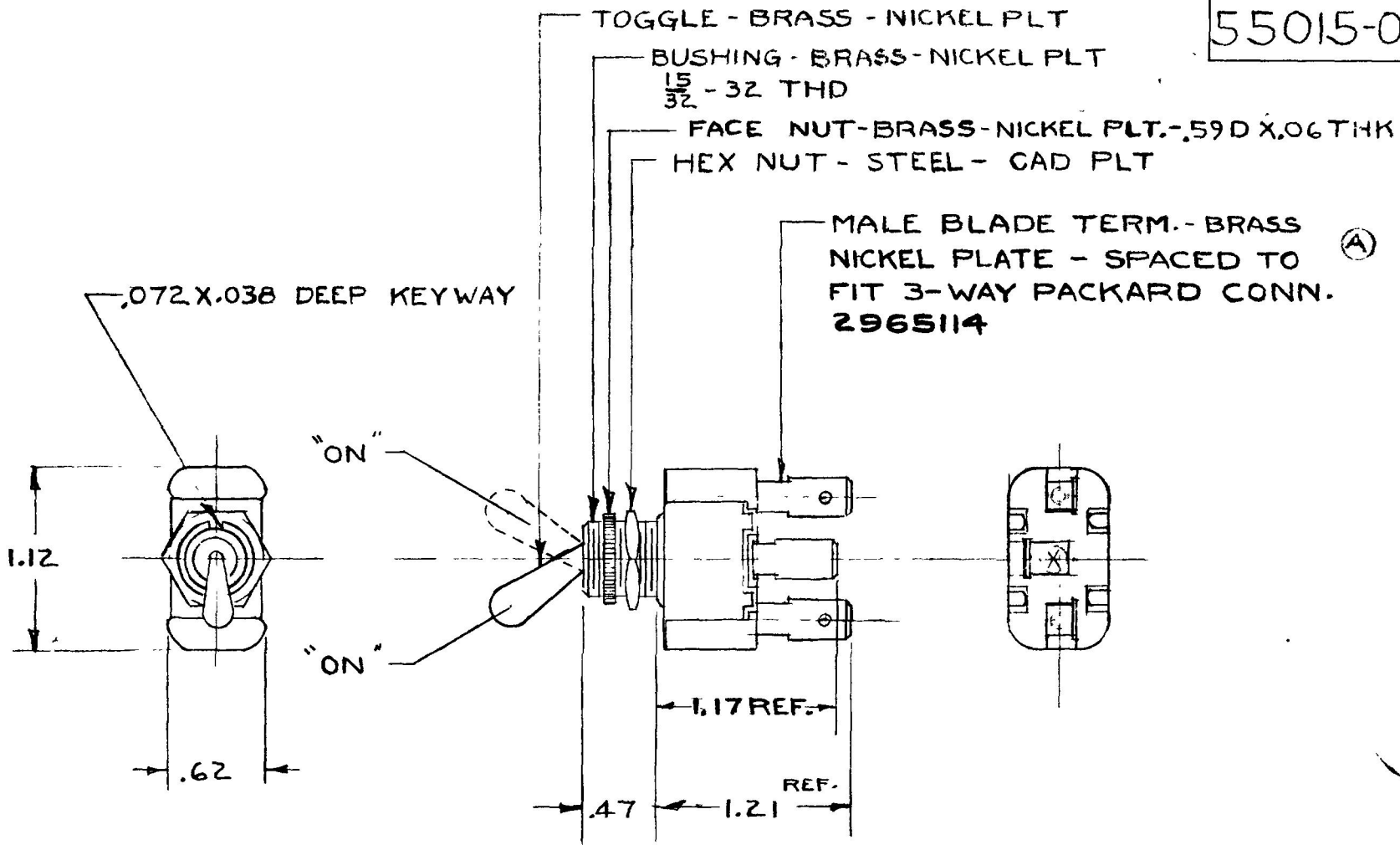


COLE-HERSEE CO.

55015-03



NOTE:
 Ⓒ SILVER CONTACT SURFACES

DO NOT SCALE

LET	WAS	DATE	BY	LET	WAS	DATE	BY	MATERIAL	DRAWN	CHECKED	APPR V D	SCALE	LIBRARY	DATE DRAWN				
								---	JH	A.S.		1" = 1"	LIBRARY 55015 W/TERMS SPACED TO FIT 3 WAY CONNECTOR. Ⓒ	12-26-69				
				C	ADD NOTE/25432	9/15/93	JH	FINISH	COLE-HERSEE COMPANY BOSTON, MASS 02127, USA					DATE BLUEPRINT				
				B	ADDED 18033	3-14-67	---											
				A	SAE J858	7-20-70	JH	TOLERANCE UNLESS SPECIFIED 2 DECIMAL + .010 3 DECIMAL + .005 ANGULAR ± 2°						NAME	SPDT TOGGLE SWITCH			
				-	ISSUED	6-19-70	VF			55015-03								