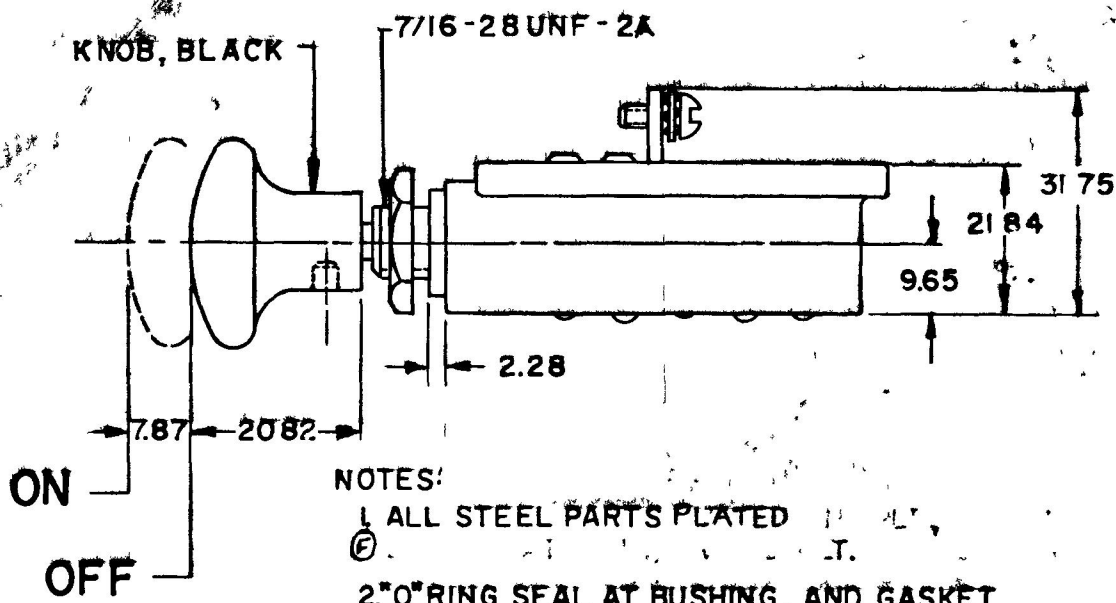
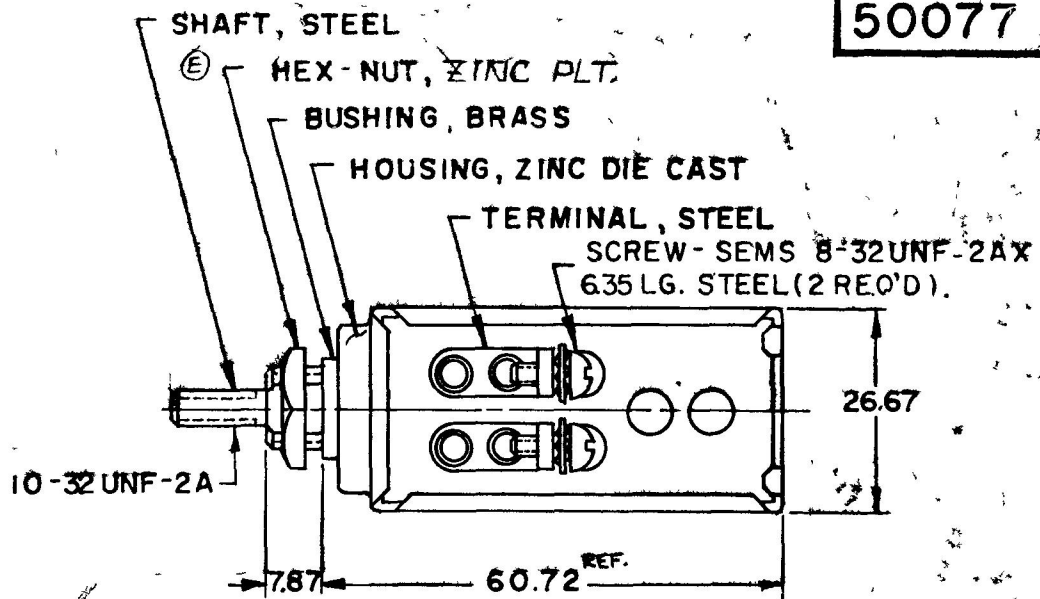
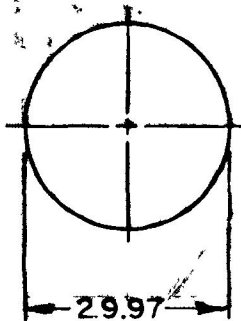
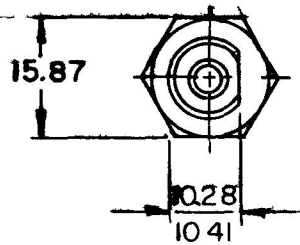
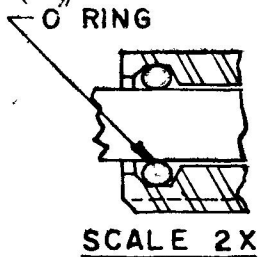


COLE-HERSEE CO.

0.25	.010
2.28	.090
7.87	.310
9.65	.380
10.18	.405
10.41	.410
15.87	.625
20.82	.820
21.84	.860
26.67	1.050
29.97	1.180
60.72	2.390
31.75	1.250
6.35	.250

50077



METRIC

10AMPS @ 12V DC

ON
OFF

NOTES:
 1 ALL STEEL PARTS PLATED
 2 O-RING SEAL AT BUSHING, AND GASKET SEAL AT BOTTOM OF TERM INSUL.
 DO NOT SCALE

LET	WAS	DATE	BY	LET	WAS	DATE	BY	MATERIAL	DRAWN	CHECKED	APPRV D	SCALE	DATE DRAWN
								11	MF	4-18-77		FULL	6-24-65
				F	CAD ZINC 125234	11/20/92	JH	FINISH 11	COLE-HERSEE COMPANY BOSTON, MASS. 02127, U.S.A.				DATE BLUEPRINT
				E	REV/20975	11-17-81	VB	TOLERANCES FRACTIONAL ± DECIMAL ±0.25	PANEL SWITCH				50077
				D	REDRAWN	4-12-78	VIC						