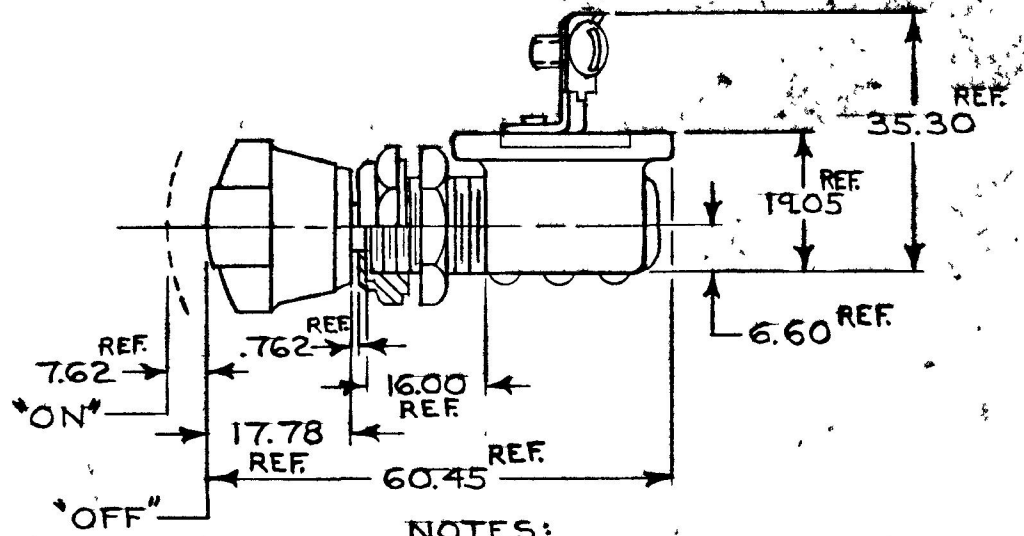
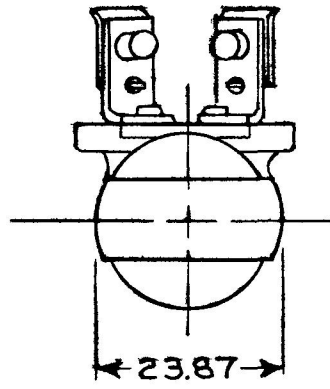
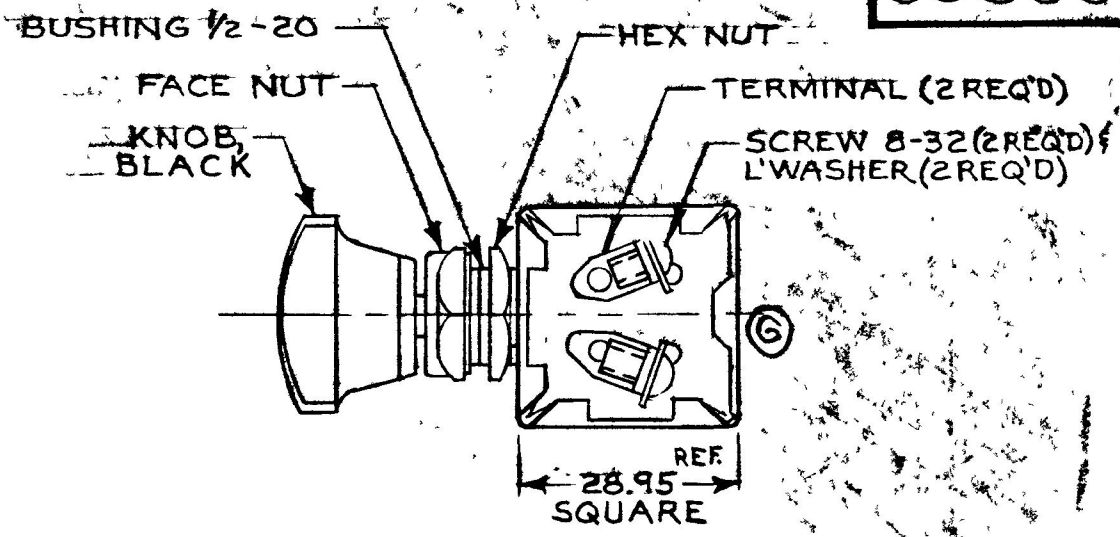
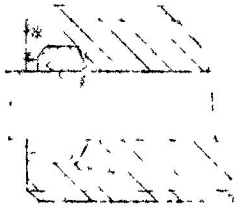


50066

MM IN
 .762 .030
 6.60 .260
 7.62 .300
 16.00 .630
 17.78 .700
 19.05 .750
 23.87 .940
 35.30 1.390
 60.45 2.380



④ 4 KNOB AND HARDWARE SHIPPED LOOSE

NOTES:
 1. SILVER CONTACT SURFACES.
 2. "O" RING SEAL IN BUSHING.
 3. GASKET SEAL AT TERMINAL INSULATOR.

DO NOT SCALE

METRIC

LET	WAS	DATE	BY	LET	WAS	DATE	BY	MATERIAL	DRAWN	CHECKED	APPRV D	SCALE	DATE DRAWN			
								<i>X</i>	SB	<i>[Signature]</i>		1:1	8-6-63			
								FINISH	Cole Hersee Co. <small>70 OLD COLONY AVENUE SOUTH BOSTON MA U.S.A. 02127</small>				DATE BLUEPRINT			
				H	ECN # 99173	5/13/49	JPF	<i>X</i>								
				G	ECN # 27164 MOD CUTOUTS	2/24/48	JH	TOLERANCES								
				F	REDRAWN	1-31-86	YK	DECIMAL ± METRIC ±	SWITCH, PUSH PULL				50066			

CH-188(4-78)