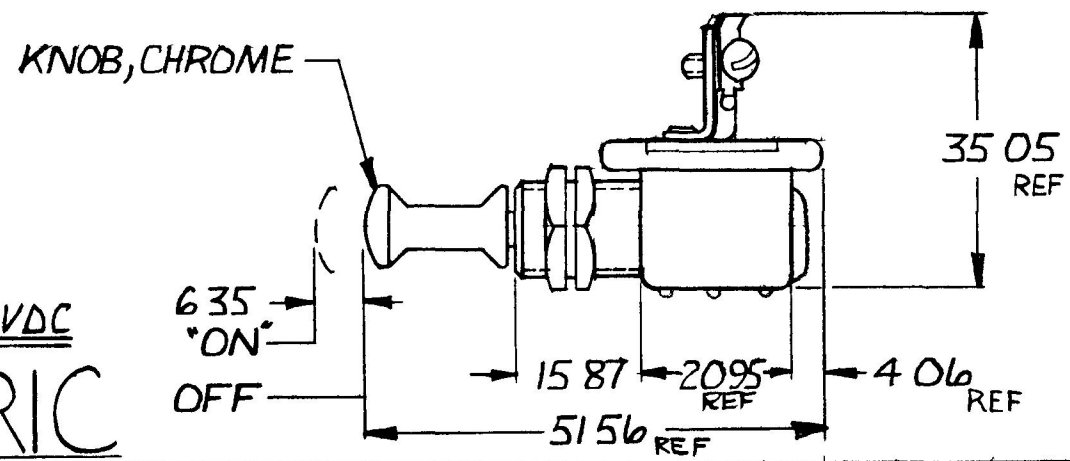
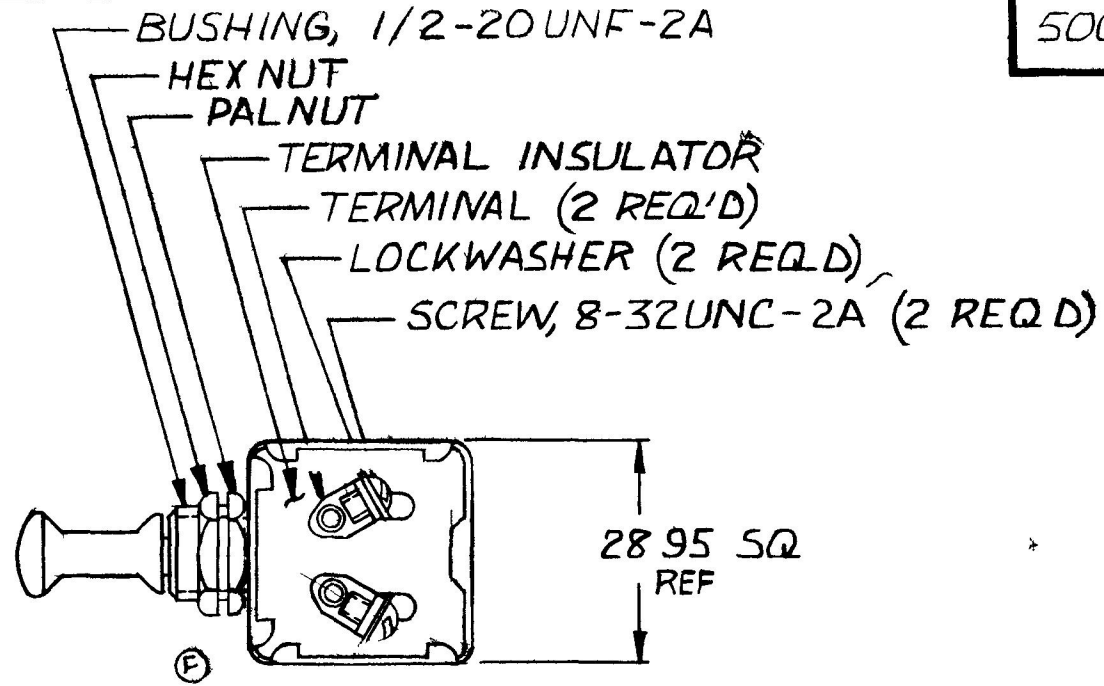


25 010  
 4 06 120  
 6 75 250  
 15 87 625  
 20 95 825  
 23 95 140  
 35 05 380  
 51 56 2030

50002



20 AMPS @ 12VDC  
**METRIC**

NOTE  
 1 SILVERED CONTACT SURFACES  
 2 ALL STEEL PARTS PLATED  
 3 ALL PARTS MUST BE ASSEMBLED DO NOT SCALE

LET	WAS	DATE	BY	LET	WAS	DATE	BY	MATERIAL	W	PPRV	SC LE	DATE DRAWN
								11	PJB	826-80	11	1-20-53
								11	 Cole Hersee Co. <small>ON SOU BO ON MA</small>			DATE BLUEPRINT
				G	E N #99174	5/11/54	RF	TOLERANCES	<b>PUSH-PULL SWITCH</b>			<b>50002</b>
			F	ECN 27164 ADD CUTOUTS	2/23/58	JH	DECIMAL ±					
			E	REDRAWN	8 2 81	(K)	METRIC ± 25					

CH 188(4 78)