

50001

SCREW STEEL 8 32 UNC-2A X 1/4 LG (2 REQ'D)

L' WASHER, STEEL (2 REQ'D)

(K) TERMINAL, BRASS (2 REQ'D)

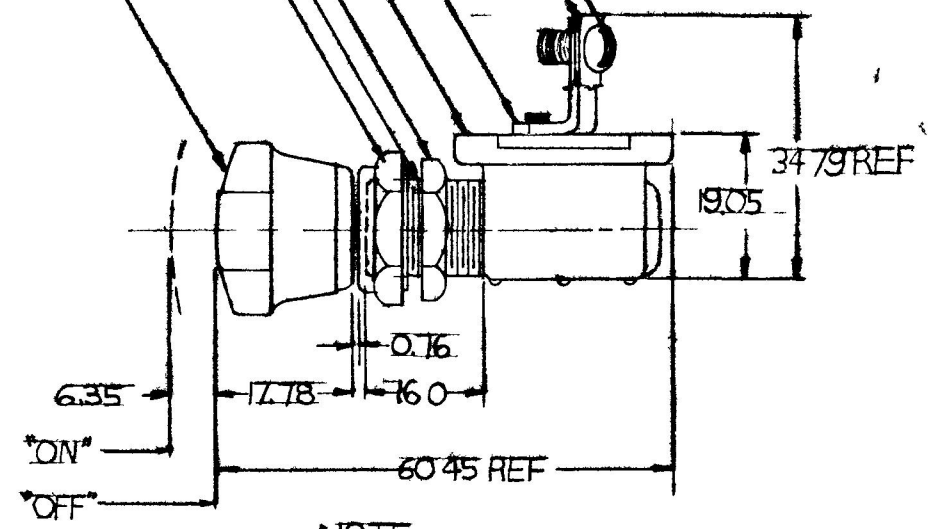
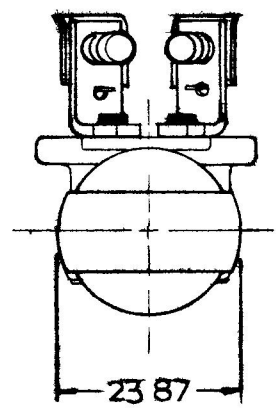
CASE, STEEL

(C) HEX NUT ZINC PLT

BUSHING - BRASS 1/2 20 UNF 2A THD

FACE NUT BRASS-CHROME PLT

KNOB, BLACK



NOTE

(A) 1) ALL STEEL PARTS PLATED

2) SILVER LAMINATED CONTACT SURFACES

(C) 3) KNOB AND HARDWARE SHIPPED LOOSE DO NOT SCALE

METRIC

LET	WAS	DATE	BY	LET	WAS	DATE	BY	MATERIAL	W	EA	✓	✓	FULL	DATE DRAWN
				K	ECN 98578	8/09	WL							1 20 53
				J	ECN 416 CUTOFF	1.23 92	J P	FINISH	COLE HERSEE COMPANY BOSTON MASS 02127 USA				DATE BLUEPRINT	
				H	ZINC 25234	12/23/92	TH							
				G	REV/2097	10 06	CS	TOLERANCES	PUSH-PULL SW				50001	
				L	ECN # 00325	4/5/00	MAK	FRACTIONAL ±						
				F	NO CHANGE	12 13 77	DAV	DECIMAL ±0.25						

SPALDI G CO I C 21 1096

COLE HERSEE CO

VI	IN
0.25	010
0.76	03
6.35	25
6.00	63
7.78	70
19.05	75
23.87	94
34.79	1 37
60.45	2.38