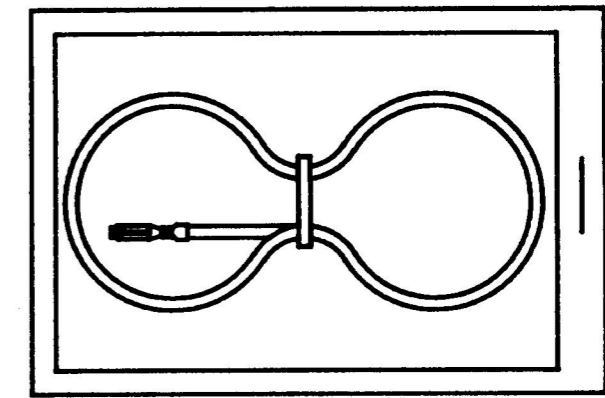
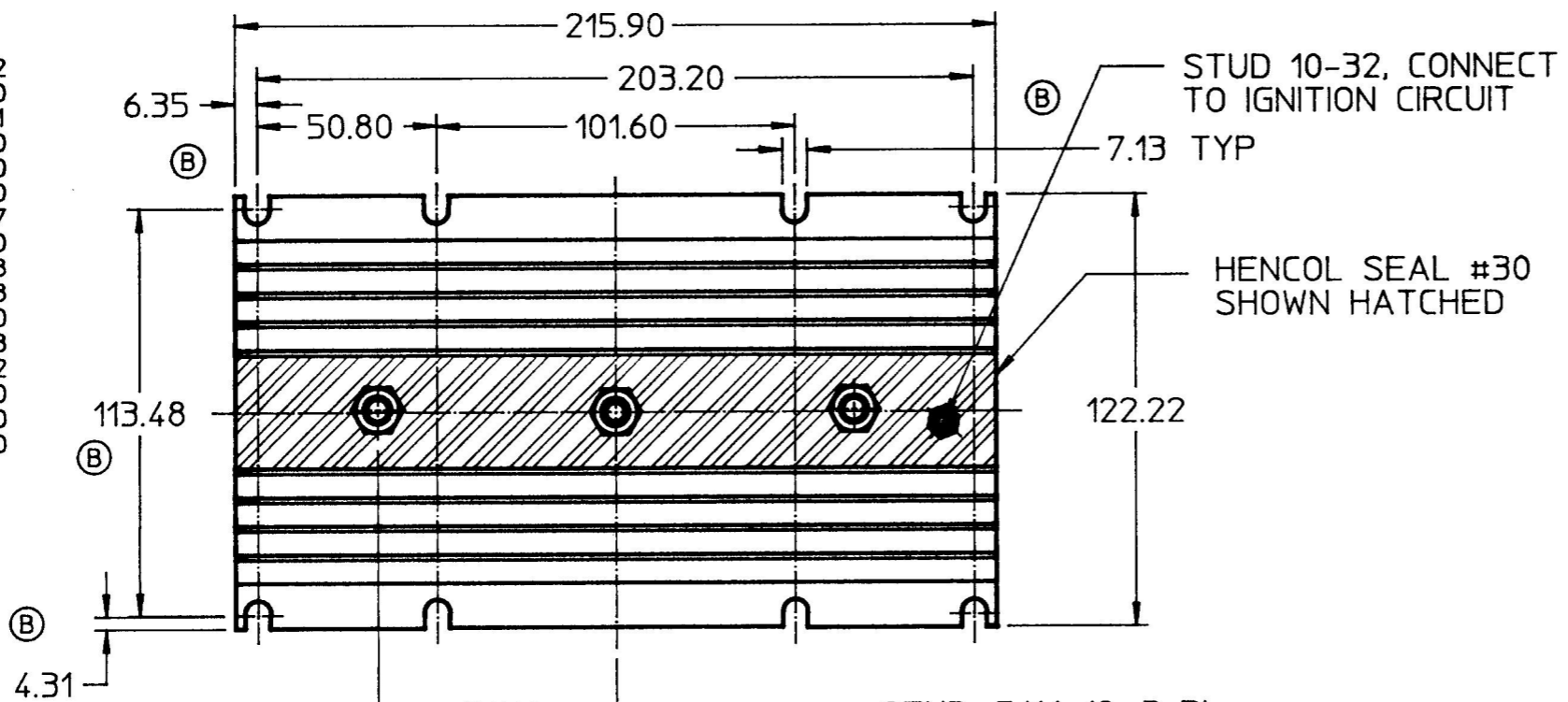


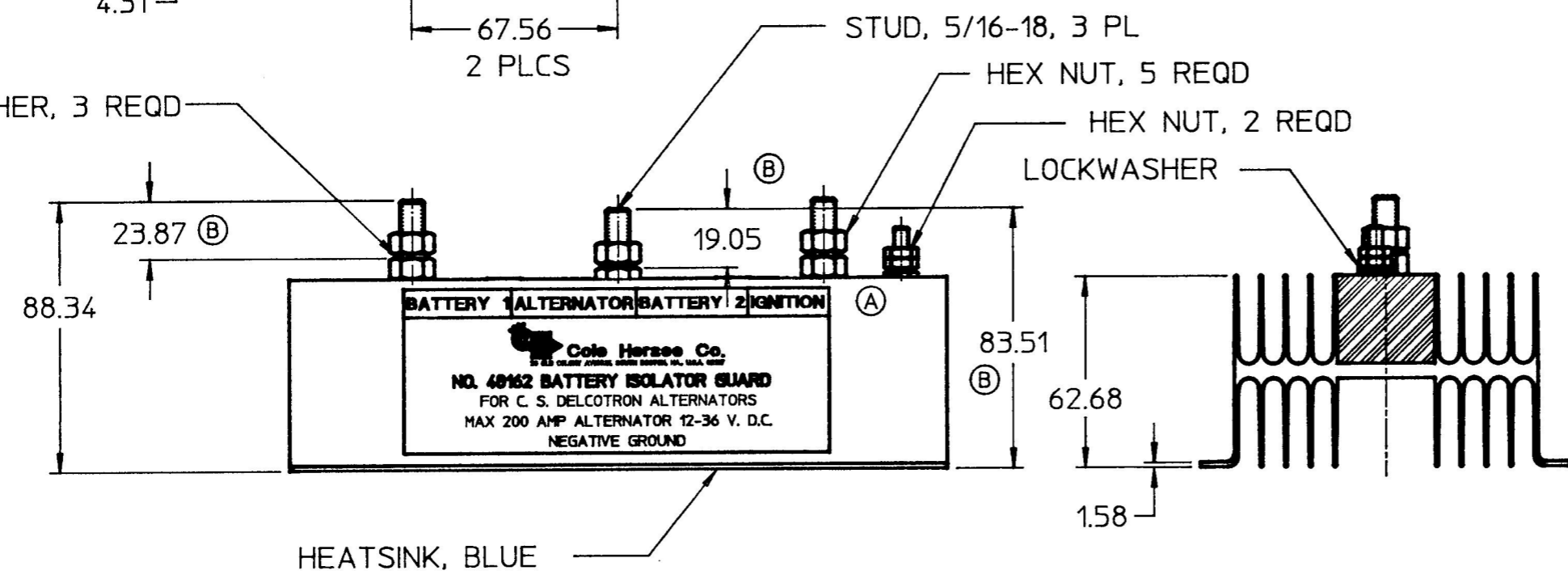
MM	IN
1.58	0.062
4.31	0.170
7.13	0.281
19.05	0.750
23.87	0.940
50.80	2.000
62.68	2.467
67.56	2.660
83.51	3.288
88.34	3.478
101.60	4.000
113.48	4.468
122.22	4.812
203.20	8.000
215.90	8.500
1828.80	72.000
1.0 mm <sup>2</sup>	16 ga



BAGGED PARTS

SCALE 1:2  
NOTE 3  
(SHIPPED LOOSE)

LOCKWASHER, 3 REQD



BATTERY 1 ALTERNATOR BATTERY 2 IGNITION  
Cole Hersee Co.  
NO. 48162 BATTERY ISOLATOR GUARD  
FOR C. S. DELCOTRON ALTERNATORS  
MAX 200 AMP ALTERNATOR 12-36 V. D.C.  
NEGATIVE GROUND

NOTES:  
1. ALL STEEL PARTS PLATED  
2. ALL DIM'S REFERENCE ONLY  
3. BAGGED PARTS INCLUDE 1-WIRE LEAD, 1.0 mm<sup>2</sup> GPT YELLOW, 1828.80 LONG WITH PACKARD TERMINAL #12015824 ATTACHED AND INFORMATION SHEET.

DO NOT SCALE  
CAD GENERATED

METRIC

LET.	WAS	DATE	BY	LET.	WAS	DATE	BY	MATERIAL	DRAWN	CHK	APVD	SCALE	EX22440	DATE DRAWN
									DPS	JK		1:2		10/5/88
				B	ECN 24800	3/20/91	RO	FINISH						DATE BLUEPRINTED
				A	ECN 24012	7/27/89	JP	TOLERANCES DECIMAL ± ANGLE ±						
					ISSUED									

Cole Hersee Co.  
BATTERY ISOLATOR GUARD  
FOR C S DELTRON ALTERNATOR

48162