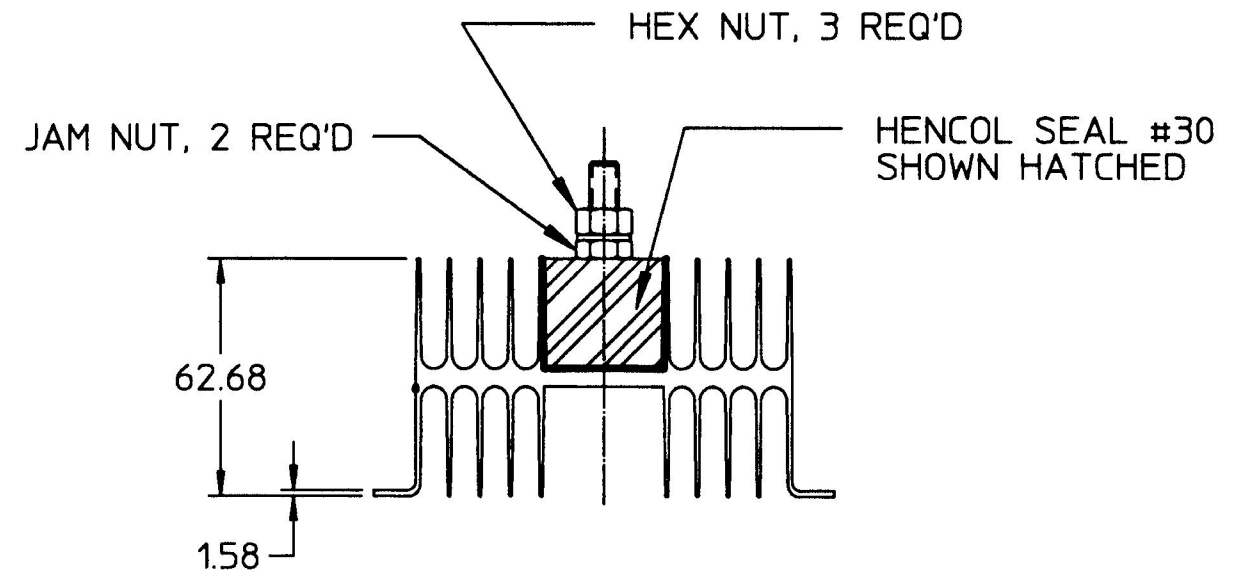
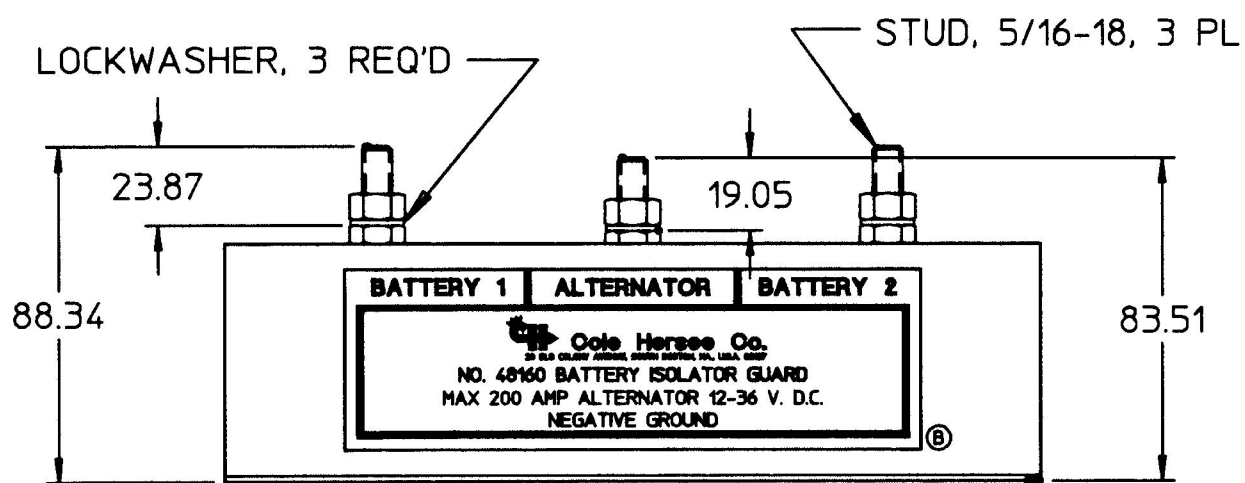
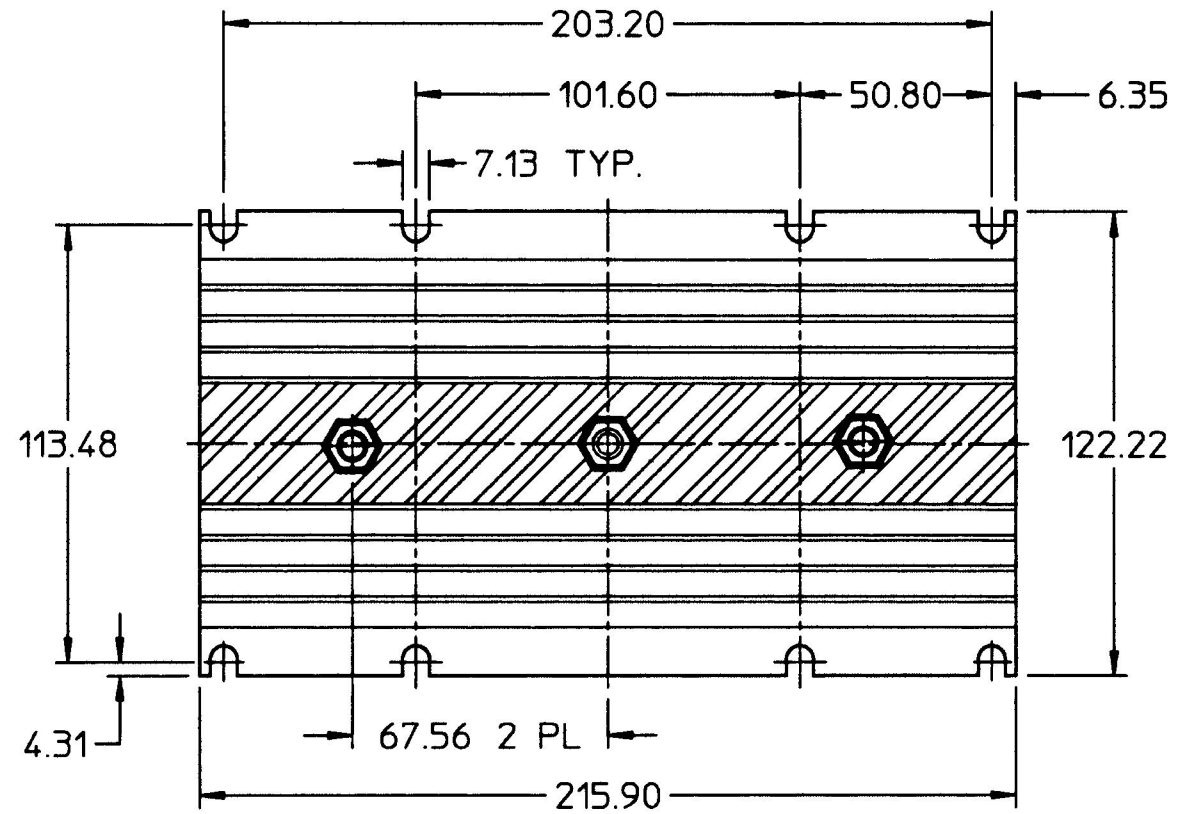


MM	IN
1.58	0.062
4.31	0.170
6.35	0.250
7.13	0.281
19.05	0.750
23.87	0.940
50.80	2.000
62.68	2.467
67.56	2.660
83.51	3.288
88.34	3.478
101.60	4.000
113.48	4.468
122.22	4.812
203.20	8.000
215.90	8.500



- NOTES:
 1. ALL STEEL PARTS PLATED
 2. ALL DIM'S REF. ONLY

DO NOT SCALE

LET.	WAS	DATE	BY	LET.	WAS	DATE	BY	MATERIAL	DRAWN	CHK	APVD	SCALE	EX22999	DATE DRAWN	
								N/A	LIZ	RF	N/A	1:2		3/10/89	
				B	ECN #00155	02/02/00	MA	FINISH N/A	Cole Hersee Co. 20 OLD COLONY AVENUE, BOSTON, MA., U.S.A. 02127					DATE BLUEPRINTED	
				A	ECN 24503 48160-01	8/10/90	RO	TOLERANCES DECIMAL ± N/A ANGLE ± N/A						BATTERY ISOLATOR GUARD FOR C S DELTRON ALTERNATOR	(A)
					ISSUED	3/31/89	AF							48160	