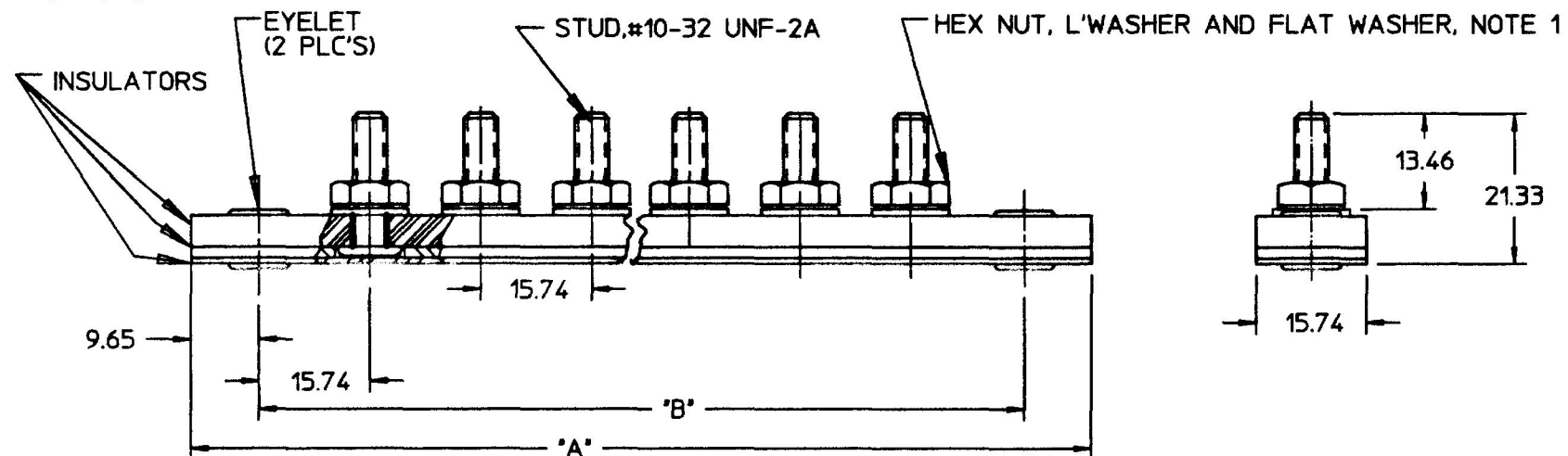
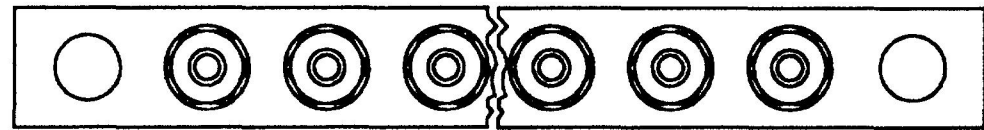


4721

MM	IN
4.85	.191
5.11	.201
9.65	.380
13.46	.530
15.74	.620
21.33	.840



PART NO	NO OF TERM	A		B	
		IN	MM	IN	MM
4721-P14	14	10.12	257.04	9.37	237.99
4721-P12	12	8.87	225.29	8.12	206.24
4721-P10	10	7.62	193.54	6.87	174.49
4721-P8	8	6.37	161.79	5.62	142.74
4721-P7	7	5.75	146.05	5.00	127.00
4721-P6	6	5.12	130.04	4.38	111.25
4721-P5	5	4.50	114.30	3.75	95.25
4721-P4	4	3.87	98.29	3.12	79.24
4721-P3	3	3.25	82.55	2.50	63.50
4721-P2	2	2.62	66.54	1.87	47.49

METRIC

Ⓢ NOTES:
1. PARTS TO BE BAGGED
DO NOT SCALE

LET.	WAS	DATE	BY	LET.	WAS	DATE	BY	MATERIAL	DRAWN	CHK	APVD	SCALE	DATE DRAWN
								N/A	SN	<i>gk</i>	N/A	1:1	12/6/49
				R	ECN #99619	12/01/99	JF	FINISH N/A	Cole Hersee Co. 20 OLD COLONY AVENUE, BOSTON, MA, U.S.A. 02127				DATE BLUEPRINTED
				Q	ECN #99504	10/20/99	JF	TOLERANCES DECIMAL ± N/A ANGLE ± N/A	TERMINAL BLOCK				4721
				P	PUT ON CAD ECN #26936	7/23/97	AJS						