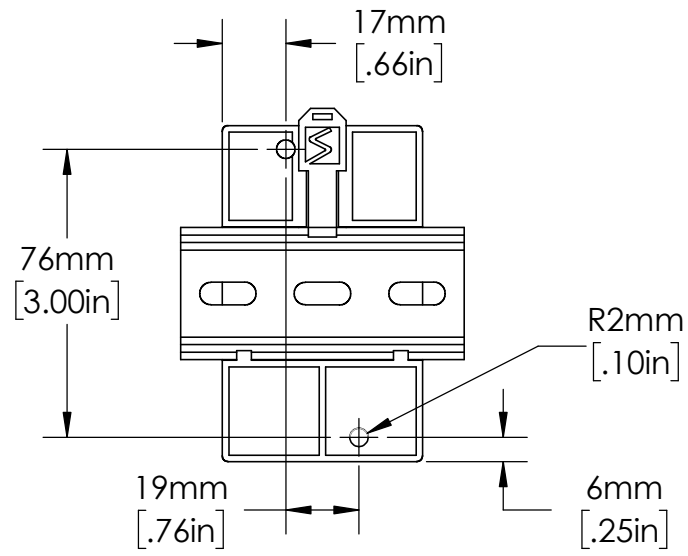
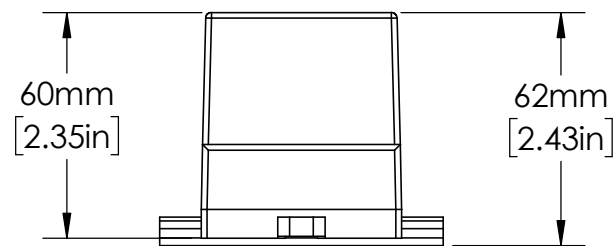


EN550022 (35.0 x 7.5)  
DIN RAIL SHOWN



UNLESS NOTED OTHERWISE  
DIMENSIONS ARE IN INCHES  
TOLERANCES:  
TWO PLACE DECIMAL ±0.05  
NOT DRAWN TO SCALE

MATERIAL	
NAME	DATE
DRAWN BY J.MOLER	12/16/22



DESCRIPTION: 3-PHASE VOLTAGE  
MONITORING PROTECTION

PART NUMBER: MODEL 460 SERIES

REV  
A

WEIGHT: SHEET 1 OF 1