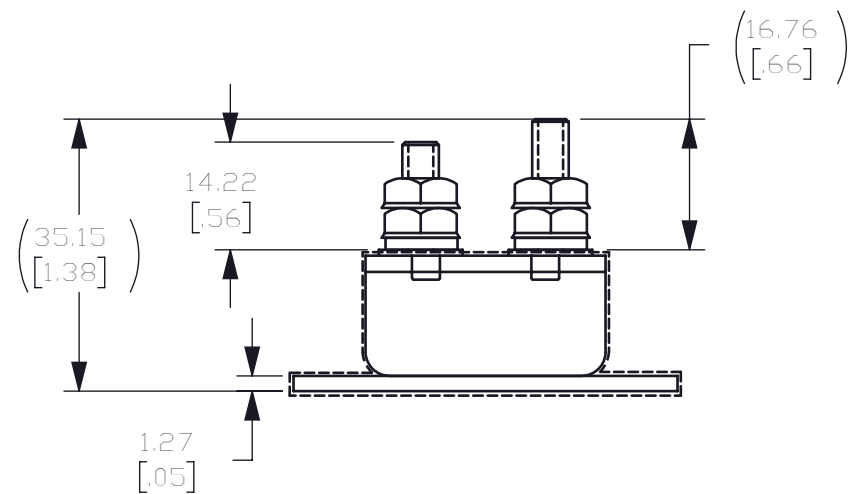
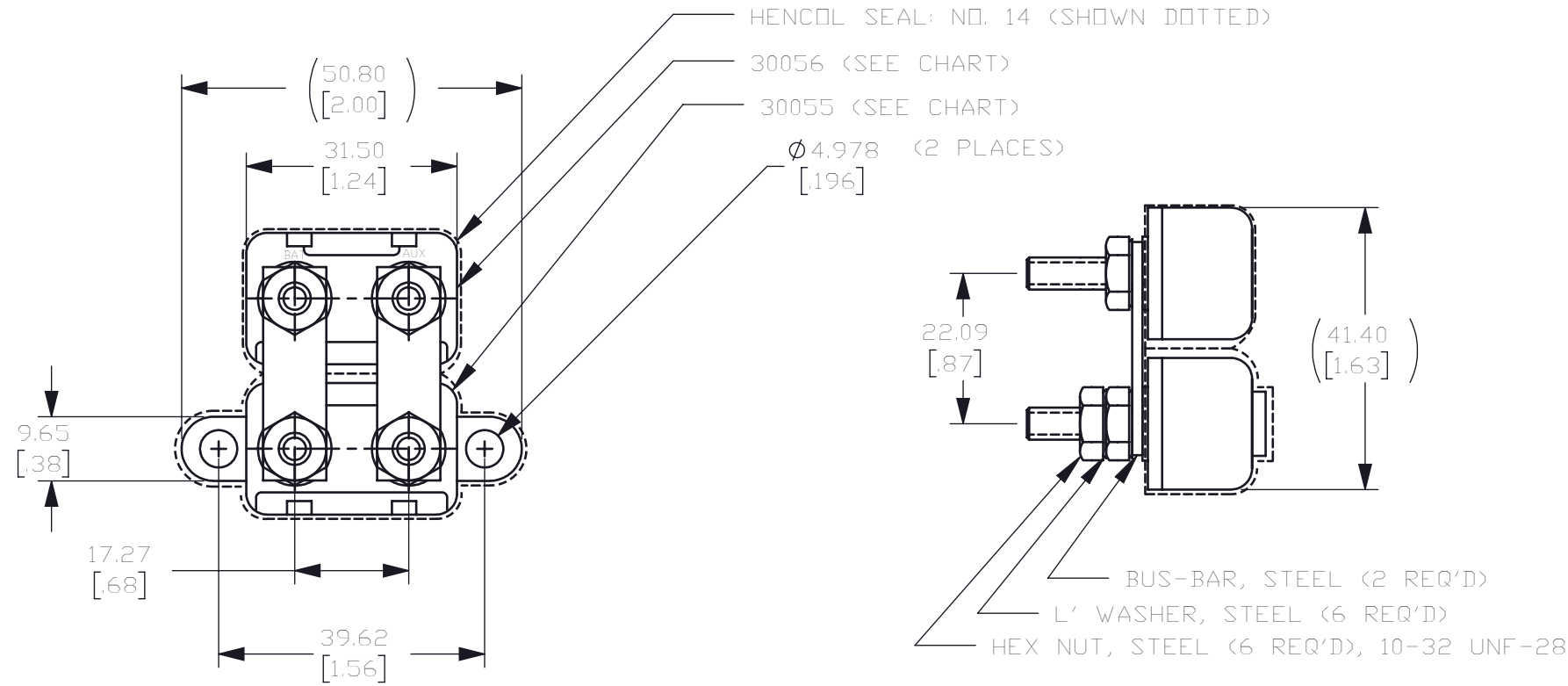


THIS DRAWING AND THE INFORMATION CONTAINED WITHIN IT ARE CONFIDENTIAL AND MAY NOT BE COPIED OR DISCLOSED WITHOUT THE WRITTEN PERMISSION OF LITTELFUSE.

REVISIONS				
ZONE	REV.	DESCRIPTION	DATE	APPROVED
	E	521633ECC-CHANGE P-30056-XX WAS 30504-XX	12/Mar/2020	FYUE



NOTE: ALL STEEL PARTS EITHER ZINC PLT. W/DICHROMATE DIP OR CAD. PLT.

30507-80	2 - 40 AMPERE CIRCUIT BREAKER	P-30056-40 P-30055-40
30507-60	2 - 30 AMPERE CIRCUIT BREAKER	P-30056-30 P-30055-30
30507-50	2 - 25 AMPERE CIRCUIT BREAKER	P-30056-25 P-30055-25
LF ASS'Y. NO.	AMPERE RATING	PART NO.

NO.	COMPONENT NO.	COMPONENT NAME	QTY	U
DIMENSIONS ARE SHOWN IN MILLIMETERS. DIMENSIONS AND TOLERANCES ARE DEFINED ACCORDING TO ANSI/ASME Y14.5-1994.				
●	FIT/ FUNCTION CRITICAL CHARACTERISTICS SYMBOL			
<S>	SAFETY/ COMPLIANCE CRITICAL CHARACTERISTICS SYMBOL			
CPK	DENOTES CPK DIMENSIONS MINIMUM CPK VALUE			
ST	DENOTES A CHARACTERISTIC THAT PROVIDES AN INDICATION OF PROCESS PERFORMANCE PROCEDURE FOR MEASUREMENT AND TRACKING TO BE DEFINED IN LITTELFUSE INSPECTION INSTRUCTIONS			
CP	DENOTES CP DIMENSIONS. -MINIMUM CP VALUE MUST BE WITHIN THE DIMENSIONAL LIMITATIONS SHOWN ON DRAWING AND INITIALLY LOCATED TO ALLOW FOR MAXIMUM TOOL LIFE			
TOLERANCES UNLESS OTHERWISE SPECIFIED ONE PLACE DECIMAL ± 0.5 THREE PLACES DECIMAL ± 0.100 TWO PLACES DECIMAL ± 0.20 ANGULAR $\pm 2^\circ$				
DRAWN	NAME	DATE	 Expertise Applied Answers Delivered TITLE CIRCUIT BREAKER ASSY	
CHECKED	FYUE	12 Mar 2020		
	-	-		
	-	-		
THIRD ANGLE PROJECTION			SIZE	DWG. NO.
			B	30507 SERIES CHART
DO NOT SCALE DRAWING			SCALE 2:1	REV. E
			SHEET 1 OF 1	