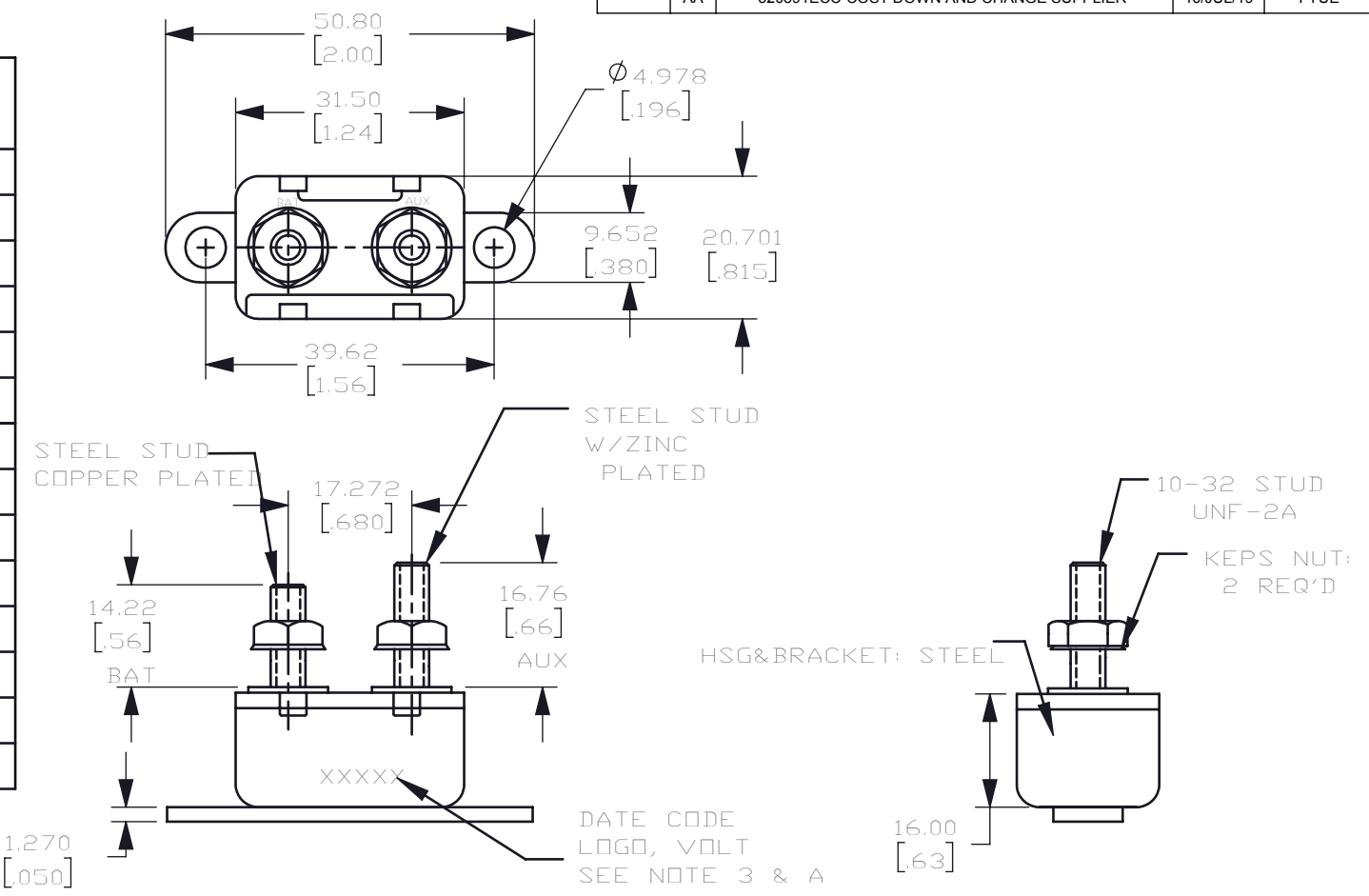


THIS DRAWING AND THE INFORMATION CONTAINED WITHIN IT ARE CONFIDENTIAL AND MAY NOT BE COPIED OR DISCLOSED WITHOUT THE WRITTEN PERMISSION OF LITTELFUSE.

REVISIONS				
ZONE	REV.	DESCRIPTION	DATE	APPROVED
	AA	520891ECC-COST DOWN AND CHANGE SUPPLIER	16/JUL/19	FYUE

PT NO	AMPS	VOLTS	TYPE	HSG	BAT STUD	AUX STUD	BRKT	SEAL	NOTE
30055-50	50	12	1	METAL	14.22	17.27	YES	NONE	HARDWARE
30055-40	40	12	1	METAL	14.22	17.27	YES	NONE	HARDWARE
30055-30	30	12	1	METAL	14.22	17.27	YES	NONE	HARDWARE
30055-25	25	12	1	METAL	14.22	17.27	YES	NONE	HARDWARE
30055-20	20	12	1	METAL	14.22	17.27	YES	NONE	HARDWARE
30055-15	15	12	1	METAL	14.22	17.27	YES	NONE	HARDWARE
30055-10	10	12	1	METAL	14.22	17.27	YES	NONE	HARDWARE
P30055-50	50	12	1	METAL	14.22	17.27	YES	NONE	NO HARDWARE
P30055-40	40	12	1	METAL	14.22	17.27	YES	NONE	NO HARDWARE
P30055-30	30	12	1	METAL	14.22	17.27	YES	NONE	NO HARDWARE
P30055-25	25	12	1	METAL	14.22	17.27	YES	NONE	NO HARDWARE
P30055-20	20	12	1	METAL	14.22	17.27	YES	NONE	NO HARDWARE
P30055-15	15	12	1	METAL	14.22	17.27	YES	NONE	NO HARDWARE
P30055-10	10	12	1	METAL	14.22	17.27	YES	NONE	NO HARDWARE



TYPE OF CIRCUIT BREAKERS

TYPE 1:
CYCLING CIRCUIT BREAKER

- NOTES:
1. ALL STEEL PARTS PLATED
 2. ALL DIMENSIONS ARE REFERENCE ONLY
 3. LOGO, AMPERAGE & VOLTAGE, TYPE AND DATE CODE STAMPED LEGIBLY ON CASE SIDE
 4. CIRCUIT BREAKER MEETS SAE J553 JUL 2016
 5. METAL HOUSING IS STEEL W/ZINC YELLOW DICHROMATE OR CLEAR ZINC.
 6. HARDWARE: STEEL, ZINC PLATED

ADDITIONAL NOTES:

A) STAMP LITTELFUSE LOGO & DATE CODE AS TO WEEK & YEAR OF MANUFACTURE

NO.	COMPONENT NO.	COMPONENT NAME	QTY	U
DIMENSIONS ARE SHOWN IN MILLIMETERS. DIMENSIONS AND TOLERANCES ARE DEFINED ACCORDING TO ANSI/ASME Y14.5-1994.				
●	FIT/ FUNCTION CRITICAL CHARACTERISTICS SYMBOL			
<S>	SAFETY/ COMPLIANCE CRITICAL CHARACTERISTICS SYMBOL			
CPK	DENOTES CPK DIMENSIONS MINIMUM CPK VALUE			
ST	DENOTES A CHARACTERISTIC THAT PROVIDES AN INDICATION OF PROCESS PERFORMANCE PROCEDURE FOR MEASUREMENT AND TRACKING TO BE DEFINED IN LITTELFUSE INSPECTION INSTRUCTIONS			
CP	DENOTES CP DIMENSIONS, -MINIMUM CP VALUE MUST BE WITHIN THE DIMENSIONAL LIMITATIONS SHOWN ON DRAWING AND INITIALLY LOCATED TO ALLOW FOR MAXIMUM TOOL LIFE			

TOLERANCES UNLESS OTHERWISE SPECIFIED
 ONE PLACE DECIMAL ± 0.5 THREE PLACES DECIMAL ± 0.100
 TWO PLACES DECIMAL ± 0.20 ANGULAR ± 2°

NAME	DATE	<p>Littelfuse Expertise Applied Answers Delivered</p>
DRAWN	FYUE 16 JUL 2019	
CHECKED	FYUE 16 JUL 2019	
THIRD ANGLE PROJECTION		TITLE
		CIRCUIT BREAKER, 12 V, T1
SIZE	DWG. NO.	REV.
B	30055 SERIES CHART	AA
DO NOT SCALE DRAWING		SHEET 1 OF 1