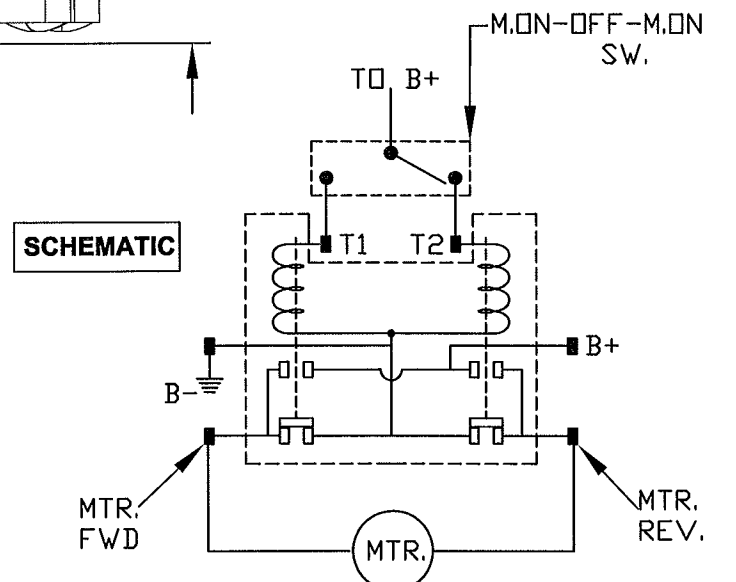
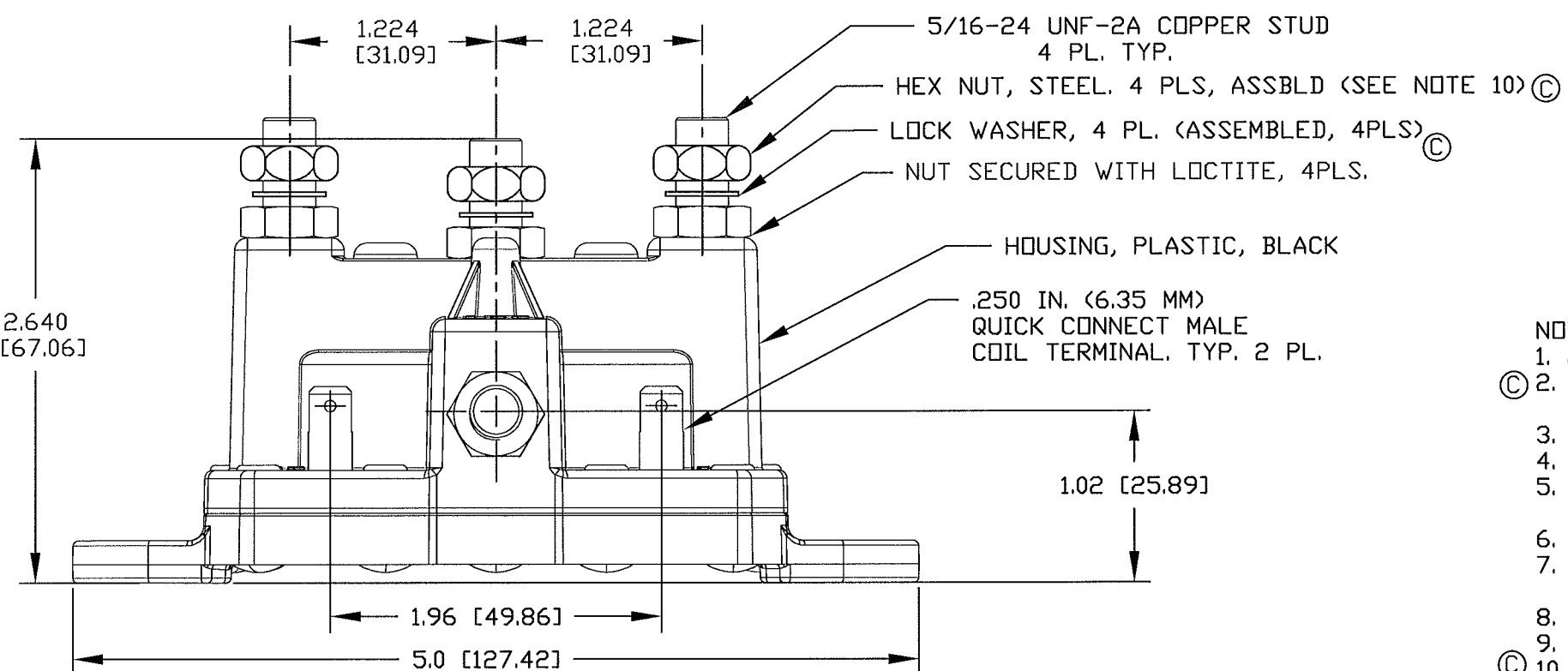


P.N	VOLTAGE	HARDWARE
24450	12VDC	ASSEMBLED
Ⓢ		
Ⓢ		
24450-02	24VDC	ASSEMBLED
Ⓢ		
Ⓢ		

Cole Hersee Co.
 Boston, USA
 PN:XXXXXXXX XXVDC, INT.
 MAX. TORQUE: L. STUD 35 IN-LBS.
 DATE CODE: XXXX MAX TIME ON: XX MIN.



- NOTES:
1. ALL DIMENSIONS ARE REFERENCE.
 - Ⓢ 2. SOLENOID IS RESISTANT TO DUST, WATER SPLASH, OIL, ANTI-FREEZE AND BRAKE FLUID EQUIV. TO IP6X.
 3. HOUSING MATERIAL: NYLON, GLASS REINFORCED.
 4. ELECTRICAL RATING: MAKE & BREAK 75AMPS.
 5. MAX.DUTY CYCLE: 5 MIN. ON - 5 MIN. OFF @75AMPS/12V, 25°C. 125A/12V FOR 30 SECS. MAX ON TIME; 150A/12V FOR .5 SECS. MAX. ON TIME.
 6. CONTACT LIFE CYCLE RATING: 10,000 CYCLES @ 75AMPS, INDUCTIVE.
 7. SOLENOID IS DESIGNED TO BE ACTIVATED ONLY WITH A MOMENTARY SWITCH SIMILAR TO CH P.N 55033-01.
 8. FOR VOLTAGE AND HARDWARE SELECTION: SEE CHART.
 9. SOLENOID DYNAMIC-PARKS MOTOR WITH ACTUATION SW. IN THE OFF POSITION.
 - Ⓢ 10. 5/16 HEXNUT TORQUE FOR CABLE INSTALLATION : 35 IN-LBS (3.95Nm)

Revision Control Record				Rev.	Description of Change	ECN No.	Date
Rev.	Description of Change	ECN No.	Date				
A	NEW PART	03443	10/10/03				
B	GEO & DIM CHANGES	12189	5/16/12				
C	HARWARE ASSBLD; PN's REMOVED	13184	06/25/13				

Note: unless noted otherwise all dimension are AFTER plating
 Tolerances: Unless otherwise specifically noted, the following are default tolerances;
 2-places ± 0.02 [0.5] 3-places ± 0.005 [0.13] Angular ± 1'
 Unless otherwise specified dimensions are in inches. Dimensions in brackets [] are in millimeters.
 "REF" = Non-Toleranced Reference Dimension, shown for clarification purposes only.
 Note: All tolerances are Non-Cumulative.

PROPRIETARY INFORMATION
 All information contained herein, is proprietary to the Cole Hersee Company. Unauthorized use or reproduction is prohibited.

Special Characteristics:

- Ⓢ Critical Characteristic, relating to Safety and/or Regulatory Compliance
- Ⓢ Significant Characteristic relating to Process Control
- Ⓢ Control Dimension relating to Form - Fit - Function as defined by Cole Hersee Company and/or the Customer

Littelfuse
 Phn: 617-268-2100 Web: www.colehersee.com

Description: SOLENOID FWD - REV.

Drawing / Part No.: 24450-CHART **Current Rev. C**

FORM CHT-6 (1/12) Used On or Ref.: EX27922-A Scale: 1:1 Drawn BY: G.Auguste Date Drawn: 05/13/03 Pg. 1 of 1