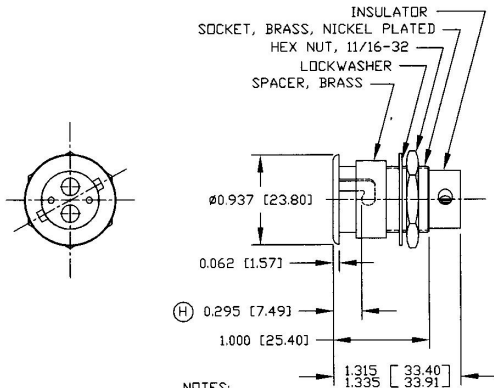


Revision Control Record

Rev.	Description of Change	ECN No.	Date
H	REVISED DRAWING	03727	12/30/03



NOTES:

1. ALL STEEL PARTS PLATED
2. ALL DIMENSIONS ARE REFERENCE ONLY UNLESS NOTED OTHERWISE
3. SOCKET ACCEPTS SAE BA 15d BASE (DOUBLE CONTACT BAYONET) BULB

Tolerances: Unless otherwise specifically noted, the following are default tolerances:
 * 2-place Decimal Dimensions ± 0.02
 * 3-place Decimal Dimensions ± 0.005
 * Angular Dimensions ± 1.0 Deg.
 * Metric: Refer to equivalent English Dimension Tolerance
 >>> NOTE: All tolerances are Non-Consultative. <<<

Dimensional Units: All dimensions are expressed in inches except those shown in brackets (xxx) are expressed in millimeters.

"BFC" or an Asterisk (*) is Non-Toleranced Reference Dimension, shown for identification purposes only.

PROPRIETARY INFORMATION: This Engineering Drawing, and the information contained herein, is proprietary to Cole Hersee Company and may not be disclosed, reproduced, or in any other way transmitted or communicated to any other party without the express written consent of an authorized representative of Cole Hersee Company.

DESIGN CONTROL: It is the responsibility of the individual using/referencing this drawing to ensure that the noted design revision level agrees with the revision level of the Controlled Document (Master Drawing). This is a NON-CONTROLLED DOCUMENT unless otherwise specifically noted.

DO NOT SCALE: Dimensional variation may occur during printing/reproduction.

Special Characteristics:



Critical Characteristics, relating to Safety and/or Regulatory Compliance



Significant Characteristics relating to Process Control (SPC)



Key Characteristics relating to Form - Fit - Function as defined by Cole Hersee Company and/or the Customer

(Note that the identification of any Characteristics as being "Special" does not alter the requirement that ALL specified dimensions & tolerances must be met.)



Cole Hersee Co.

20 Old Colony Ave., South Boston, MA, 02127
 Phn: 617-266-3100 Web: www.colehersee.com

Description:

LAMP SOCKET, DC

Drawing / Part No.:

2014

Current Rev.:

H

Used On or Ref.:

Scale: **1:1**

Drawn By: **RJLG**

Date Drawn: **7/26/41**

Responsible Engineer: **NA**

Pg. 1 of 1