

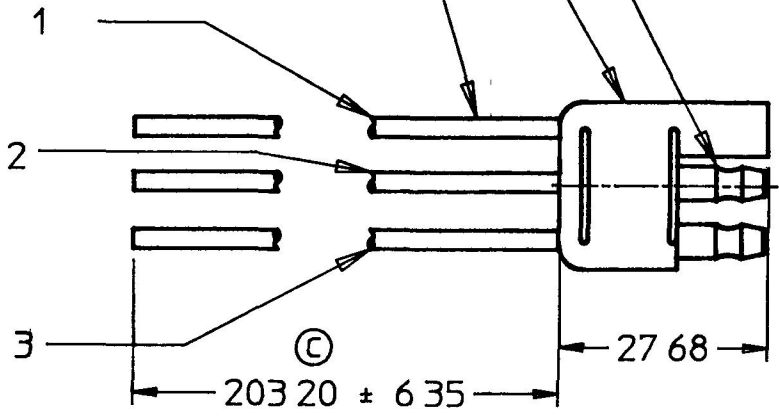
MM	IN
6.35	0.250
7.11	0.280
27.68	1.090
203.20	8.000

©

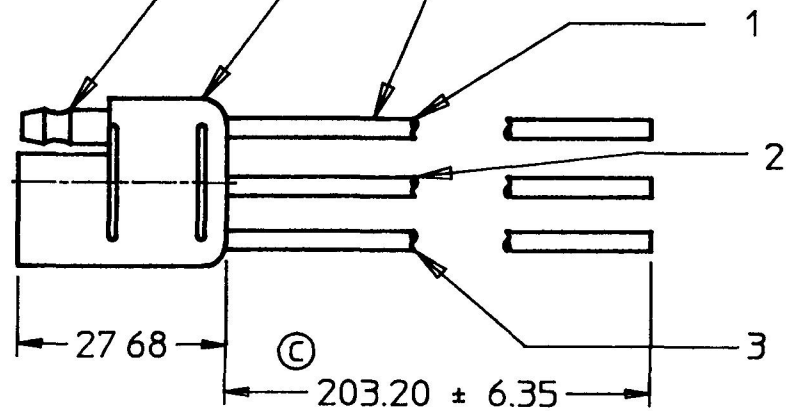
16 ga PLASTIC COVERED WIRE TYP

RUBBER INSULATION, TYP.

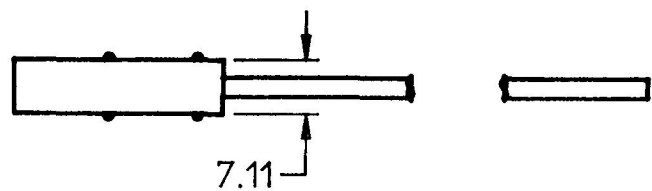
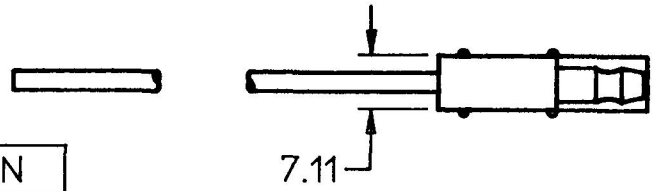
BULLET TYPE TERMINAL, TYP



11173-01



11173-02



3	GREEN
2	RED
1	WHITE
NO.	COLOR

METRIC

DO NOT SCALE
CAD GENERATED

LET	WAS	DATE	BY	LET	WAS	DATE	BY	MATERIAL	DRAWN	CHK	APVD	SCALE	DATE DRAWN
									MF	AF		11	11/26/65
								FINISH	Cole Hersee Co. <small>20 OLD COLONY AVENUE SOUTH BOSTON, MA U.S.A. 02127</small>				DATE BLUEPRINTED
				C	5637 REDRAW ERROR	8/18/88	DPS						
				B	PUT ON CAD	2/2/88	DPS	TOLERANCES	CONNECTOR, 3 POLE				11173
					ISSUED	6/15/66	B	DECIMAL ± ANGLE ±					Confidential Property of Cole Hersee